

Alfresco™

Open Air Culinary Systems



AGBQ-56

**BUILT-IN 56" BBQ GRILL WITH TRIPLE MAIN BURNERS
AND DOUBLE SIDE BURNER UNIT**

Alfresco™

SUPERIOR EQUIPMENT SOLUTIONS
7039 EAST SLAUSON AVENUE
COMMERCE, CA. 90040

THE INFORMATION CONTAINED IN THIS DRAWING IS THE
SOLE PROPERTY OF SUPERIOR EQUIPMENT SOLUTIONS
INC. ANY REPRODUCTION IN PART OR AS A WHOLE
WITHOUT WRITTEN PERMISSION FROM SUPERIOR
EQUIPMENT SOLUTIONS, INC. IS PROHIBITED.

DRAWN BY: ADRIAN CRISCI
CREATED: May 27, 2005 4:00:29 PM

PROJECT TITLE: AGBQ-56 ALFRESCO UNIT

DRAWING TITLE:
AGBQ-56 / 56" BBQ TRIPLE "U" BURNER

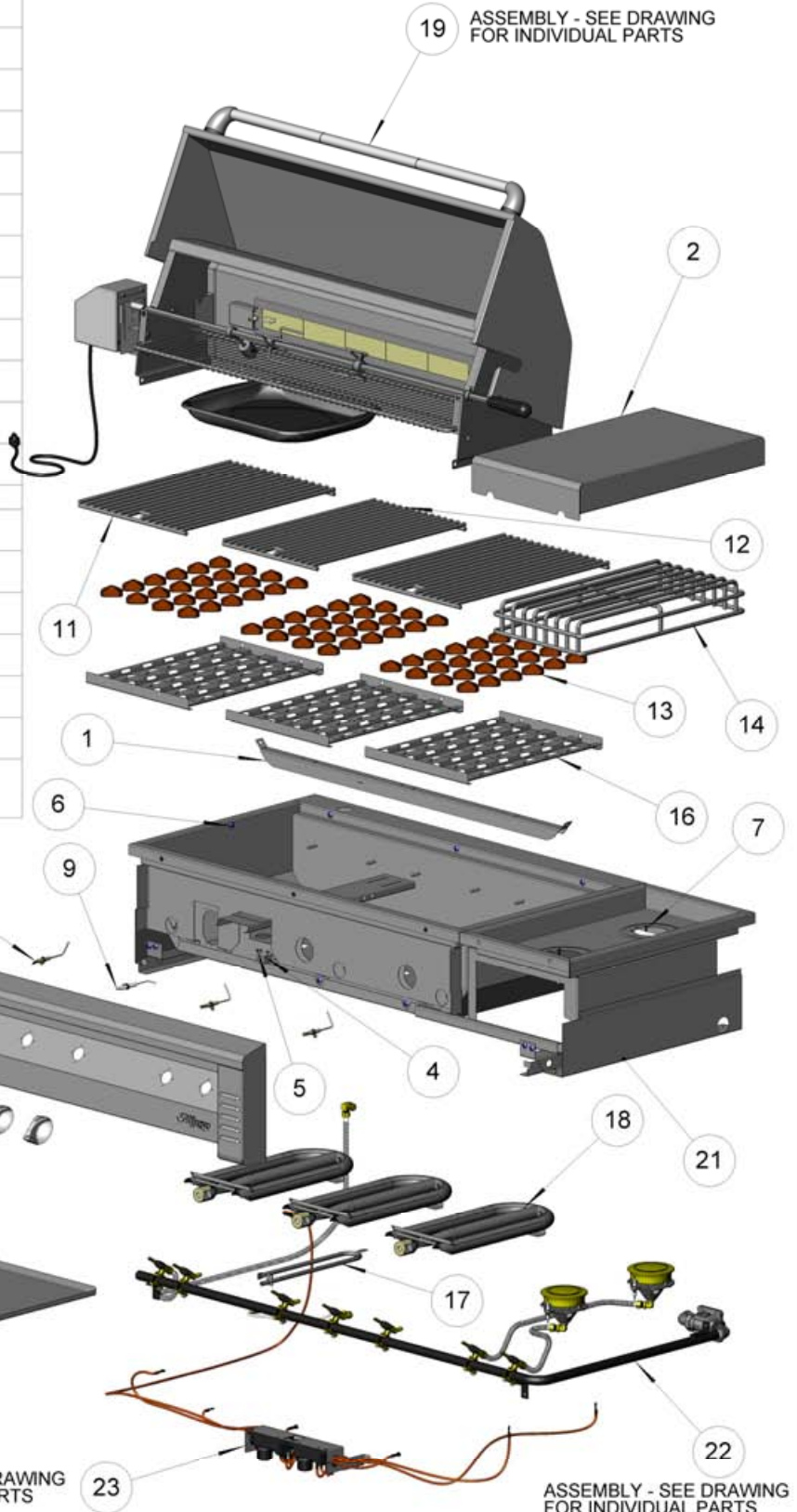
I:\DWGS\Alfresco\BBQ'S\56 IN\

DRAWING NO.:
500-0009

SHEET 1 OF 1

BILL OF MATERIAL

NO.	PART NUMBER	DESCRIPTION	QTY.
1	100-0932	BURNER HANGER	1
2	100-0949	WEATHER COVER	1
3	100-0956	56" BBQ - DRIP PAN	1
4	150-0380	SMOKER ORIFICE HOLDER	1
5	200-0076	SCREW 6 - 20 x 1/2" - PHILIPS - SELF-TAP	6
6	200-0086	1/4-20 X 3/8 - TRUSS HEAD - PHILIPS SCREW	14
7	200-0098	SCREW 6-32 X 1/2" - FLAT HEAD 82° - PHILIPS	8
8	210-0189	ELECTRODE - "L" SHAPED - MAIN BURNER	3
9	210-0191	ELECTRODE - "L" SHAPED - SMOKER BURNER	1
10	290-0030	KNOB BBQ - ALFRESCO "A" LETTER	7
11	290-0033	STANDARD BBQ GRILL - 13-5/8" WIDE	2
12	290-0058	STANDARD BBQ GRILL - 12" WIDE	1
13	290-0068	BBQ BRIQUETTE SET (24 UNITS)	3
14	290-0069	GRATE - DUAL SIDE BURNER	1
15	510-0000	SMOKER DRAWER TRAY ASSY	1
16	510-0005	BBQ - BRIQUETTE TRAY	3
17	510-0010	SMOKER BURNER ASSEMBLY	1
18	510-0025	BBQ - "U" MAIN BURNER - WELDED PARTS	3
19	510-0034	42" BBQ - HOOD (FRONT & BACK) ASSEMBLY	1
20	510-0068	56" BBQ - FRONT PANEL - MAIN ASSEMBLY	1
21	510-0070	56" BBQ - FIRE BOX ASSEMBLY	1
22	510-0071	56" BBQ - GAS MANIFOLD - TRIPLE BURNER	1
23	510-0072	56" BBQ IGNITER ASSEMBLY - 3 "U" BURNER	1



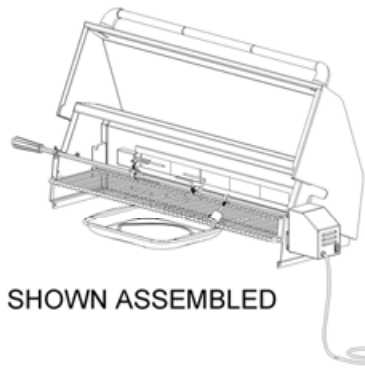
ASSEMBLY - SEE DRAWING FOR INDIVIDUAL PARTS

ASSEMBLY - SEE DRAWING FOR INDIVIDUAL PARTS

ASSEMBLY - SEE DRAWING FOR INDIVIDUAL PARTS

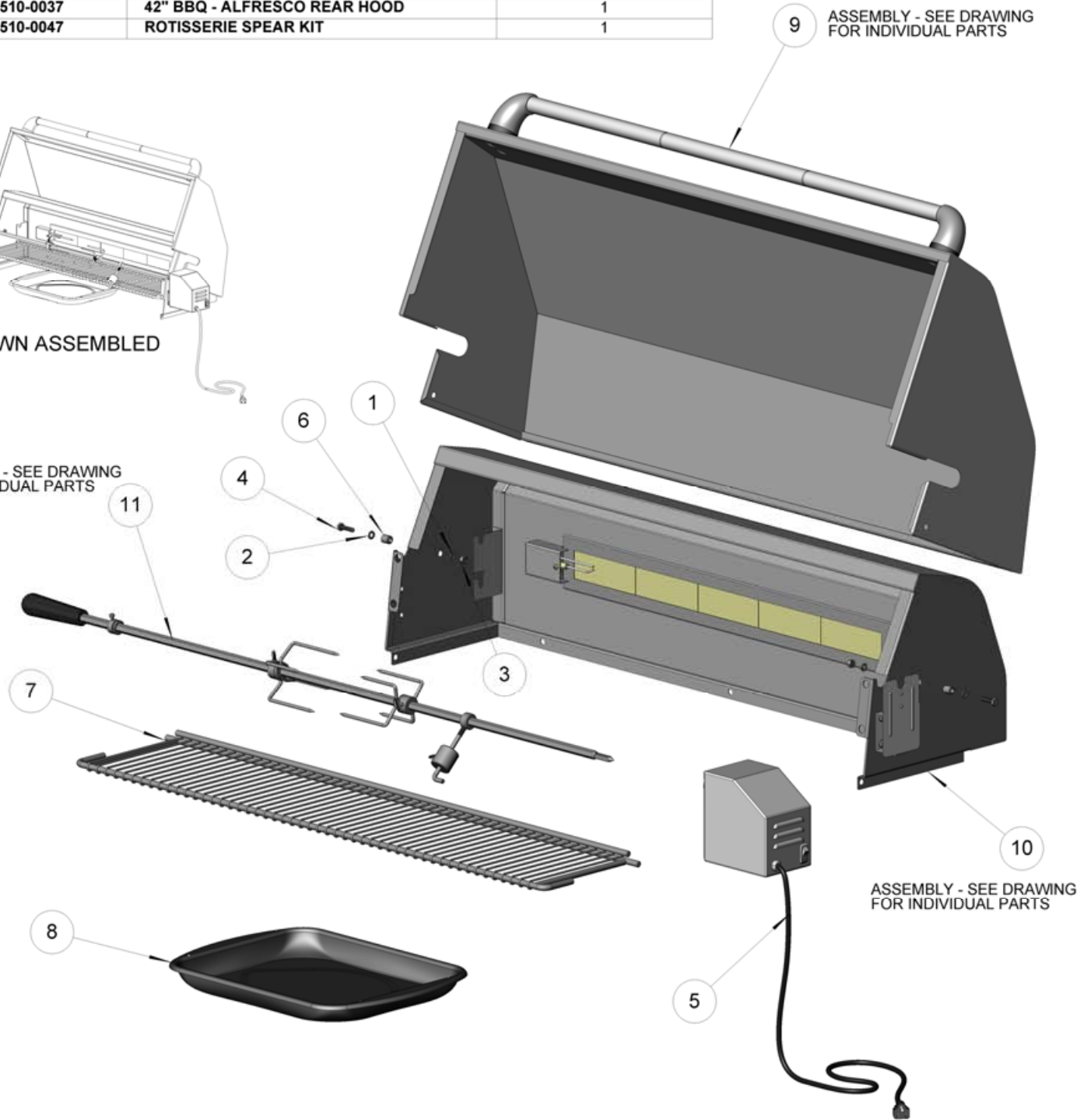
BILL OF MATERIAL

NO.	PART NUMBER	DESCRIPTION	RIGHT SIDE ROTISSERIE/QTY.
1	200-0087	1/4" LOCK WASHER	2
2	200-0088	WASHER - 1/4 - FLAT NARROW	2
3	200-0090	1/4-20 - DOUBLE CHAMFER - HEX NUT	2
4	200-0091	1/4-20 X 1 HEX HEAD BOLT	2
5	210-0196	ROTISSERIE MOTOR ASSEMBLY	1
6	290-0040	BUSHING 1/2 Ø x 1/2 L - SS - HOOD HINGE	2
7	290-0057	42" BBQ WARMING GRILL	1
8	290-0059	ROTISSERIE DRIP PAN	1
9	510-0036	42" BBQ - FRONT HOOD ASSEMBLY	1
10	510-0037	42" BBQ - ALFRESCO REAR HOOD	1
11	510-0047	ROTISSERIE SPEAR KIT	1

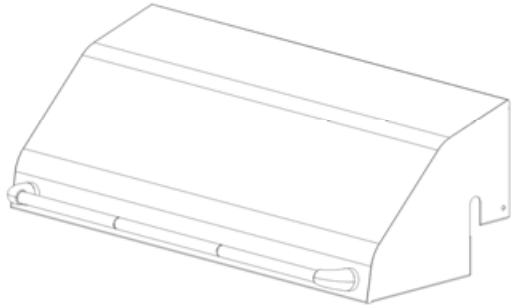


SHOWN ASSEMBLED

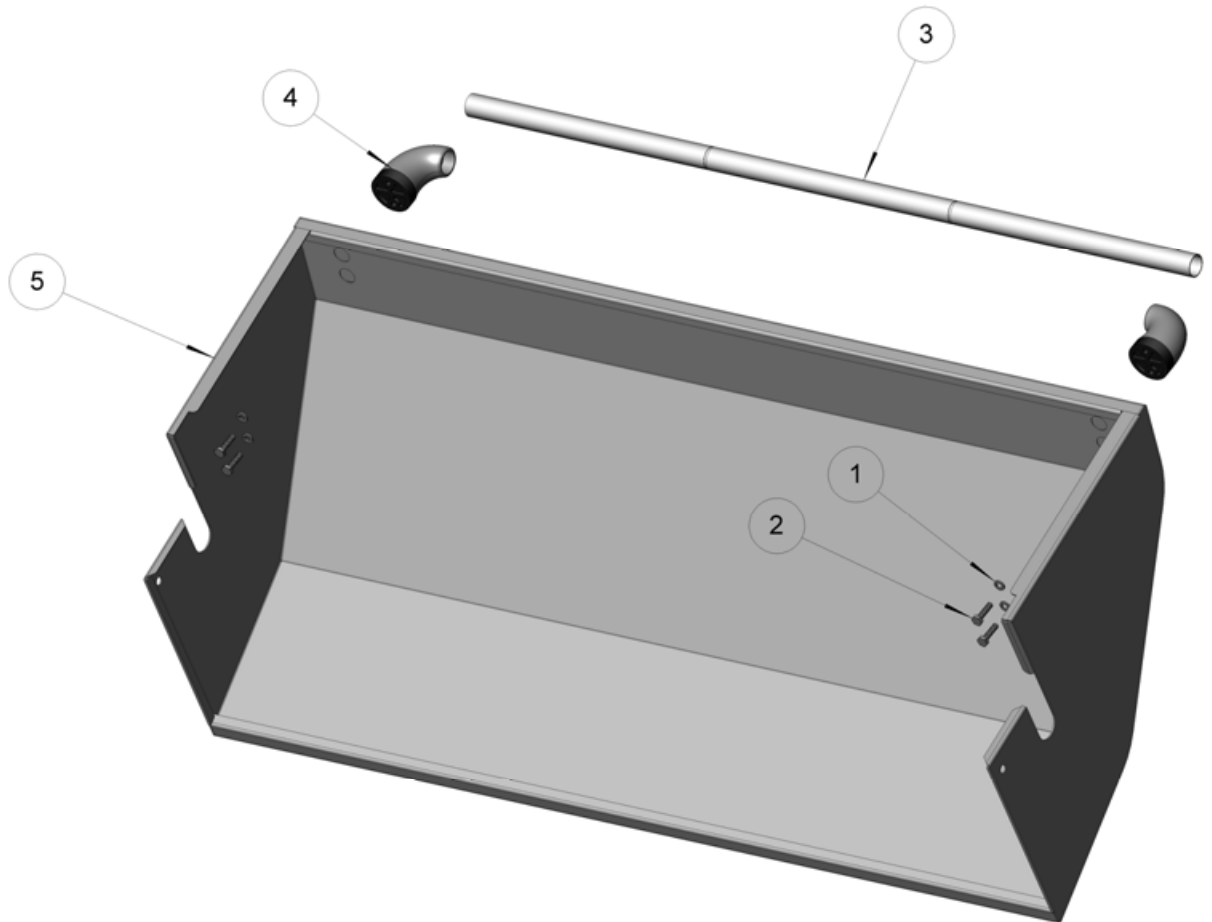
ASSEMBLY - SEE DRAWING FOR INDIVIDUAL PARTS



BILL OF MATERIAL			
NO.	PART NUMBER	DESCRIPTION	QTY.
1	200-0087	1/4" LOCK WASHER	4
2	200-0091	1/4-20 X 1 HEX HEAD BOLT	4
3	290-0055	HANDLE BAR - 36" KNURLED	1
4	290-0063	HANDLE - END CAP ASSEMBLY	2
5	510-0038	42" BBQ - FRONT HOOD - WELDED PARTS	1

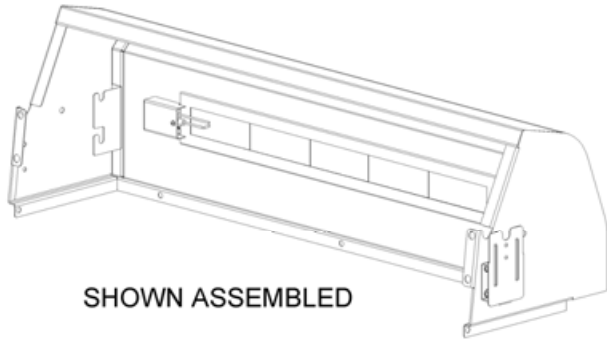


SHOWN ASSEMBLED

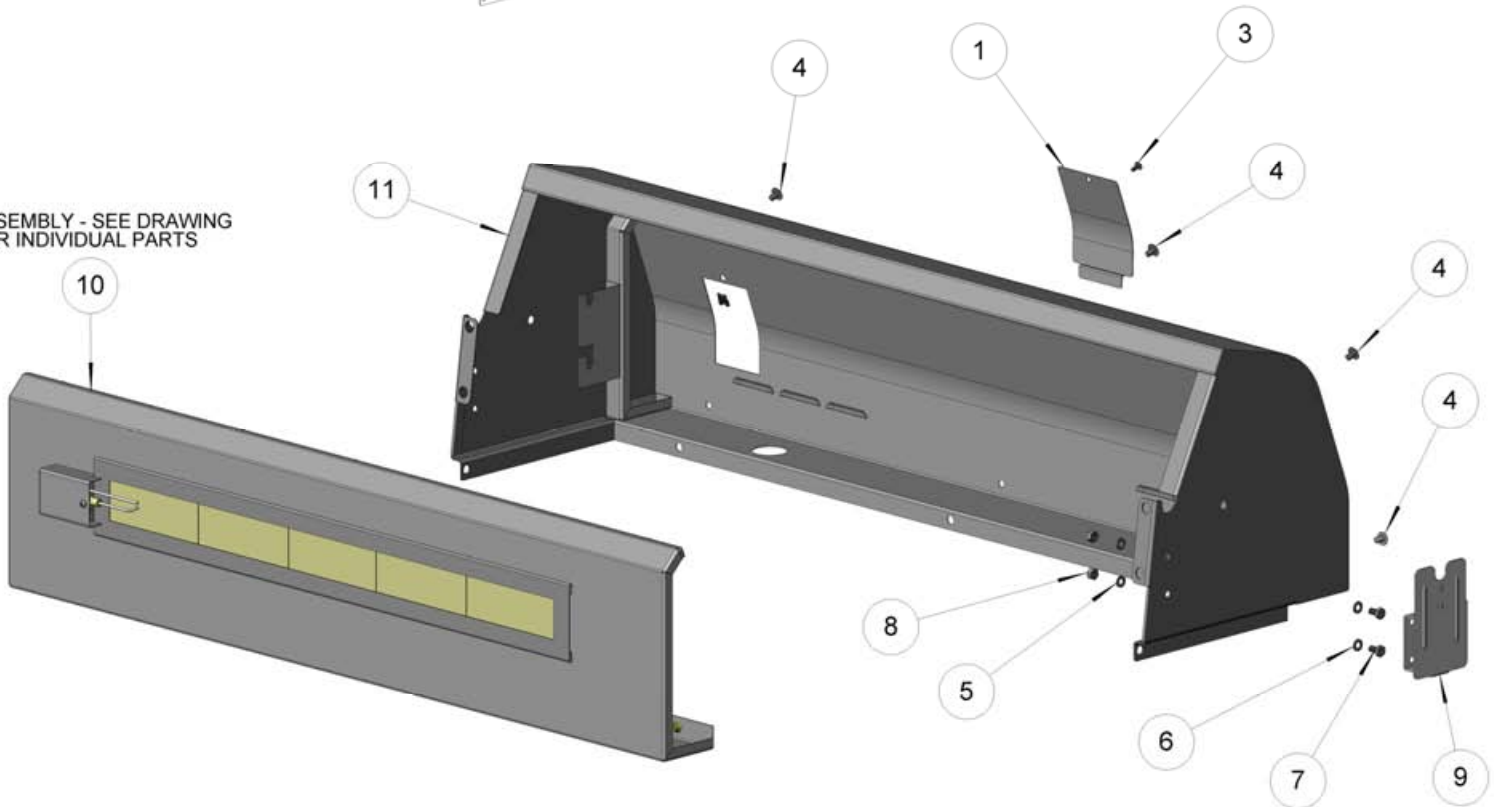


BILL OF MATERIAL

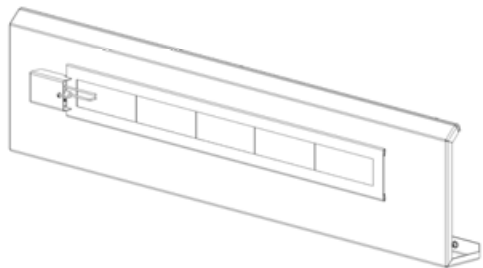
NO.	PART NUMBER	DESCRIPTION	RIGHT SIDE MOTOR MOUNT/QTY.
1	150-0397	ROTISSERIE BURNER - ORIFICE ACCESS COVER	1
2	200-0084	8-32 TINNEMAN® TYPE NUT - "J" CLIP	1
3	200-0085	8-32 X 3/8 - TRUSS HEAD - PHILIPS SCREW	1
4	200-0086	1/4-20 X 3/8 - TRUSS HEAD - PHILIPS SCREW	6
5	200-0087	1/4" LOCK WASHER	2
6	200-0088	WASHER - 1/4 - FLAT NARROW	2
7	200-0089	1/4-20 X 1/2 - HEX HEAD BOLT	2
8	200-0090	1/4-20 - DOUBLE CHAMFER - HEX NUT	2
9	290-0048	MOUNT - MOTOR SUPPORT - ROTISSERIE	1
10	510-0039	42" BACK HOOD ROTISSERIE PANEL	1
11	510-0040	42" BBQ - READ HOOD - WELDED PARTS	1



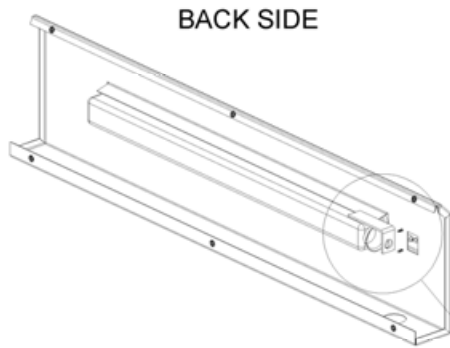
ASSEMBLY - SEE DRAWING FOR INDIVIDUAL PARTS



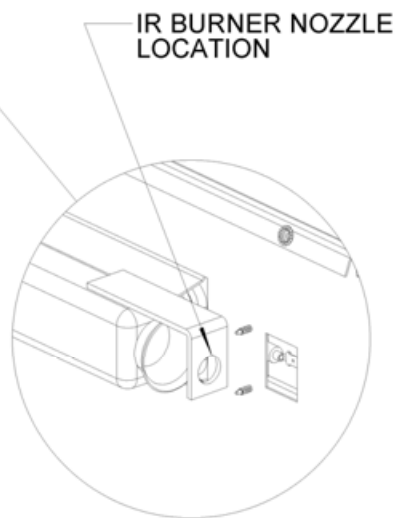
BILL OF MATERIAL			
NO.	PART NUMBER	DESCRIPTION	QTY.
1	100-0904	ROTISSERIE BURNER - ELECTRODE COVER	1
2	100-0905	ROTISSERIE BURNER - ELECTRODE BRACKET	1
3	200-0076	6 x 20 x 1/2" PHILIPS SCREW SELF-TAP	3
4	200-0083	8-32 X 1/4 - PAN HEAD - PHILIPS SCREW	1
5	200-0084	8-32 TINNEMAN® TYPE NUT - "J" CLIP	1
6	210-0192	ELECTRODE - DUAL TIP - IR BURNERS	1
7	510-0041	42" BBQ - ROTISSERIE PANEL ASSY (INCLUDES IR BURNER)	1



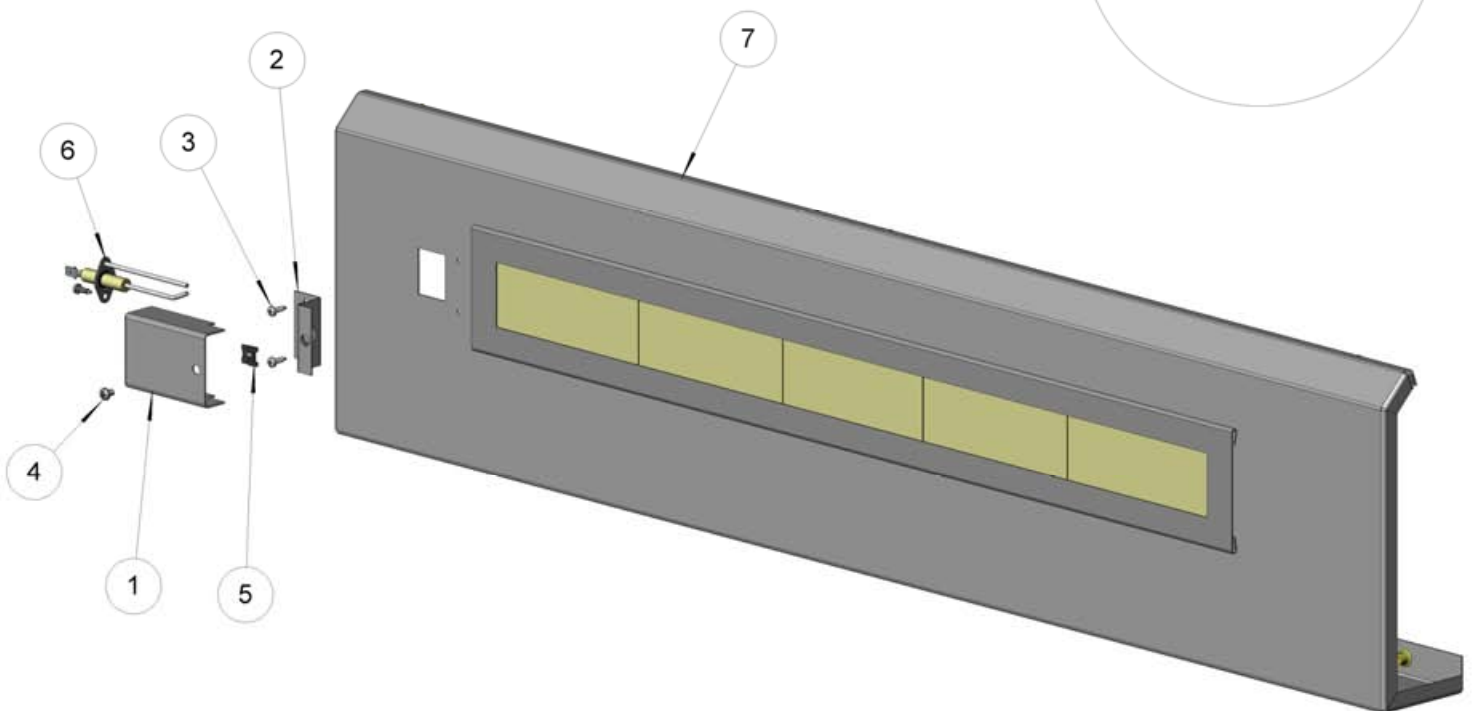
SHOWN ASSEMBLED



BACK SIDE



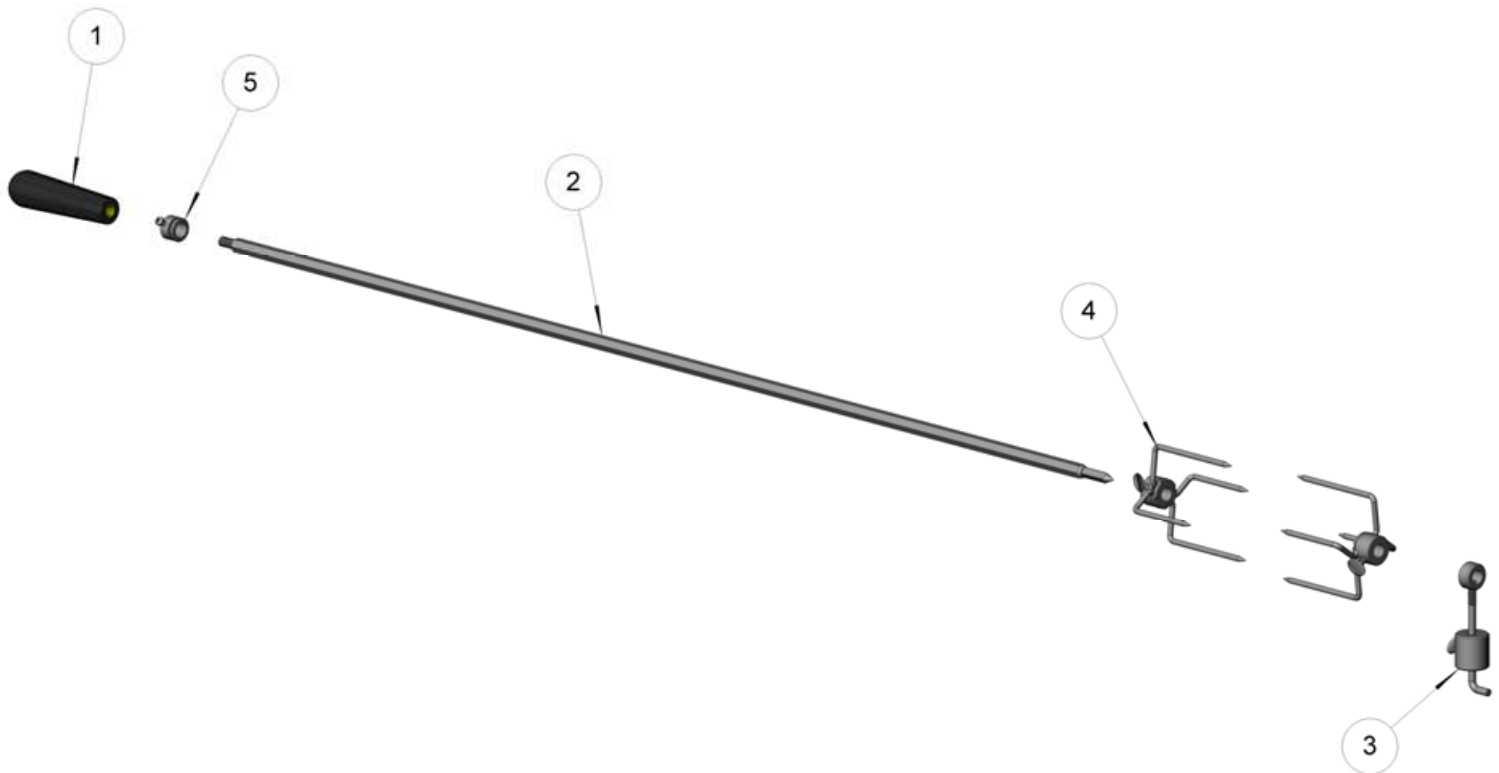
IR BURNER NOZZLE LOCATION



BILL OF MATERIAL			
NO.	PART NUMBER	DESCRIPTION	QTY.
1	290-0047	HANDLE - ROTISSERIE SPEAR	1
2	290-0054	SPEAR ROTISSERIE - 42" BBQ	1
3	290-0060	COUNTERWEIGHT FOR ROTISSERIE	1
4	290-0061	ROTISSERIE FORK ASSEMBLY	2
5	290-0062	ROTISSERIE BUSHING ASSEMBLY	1

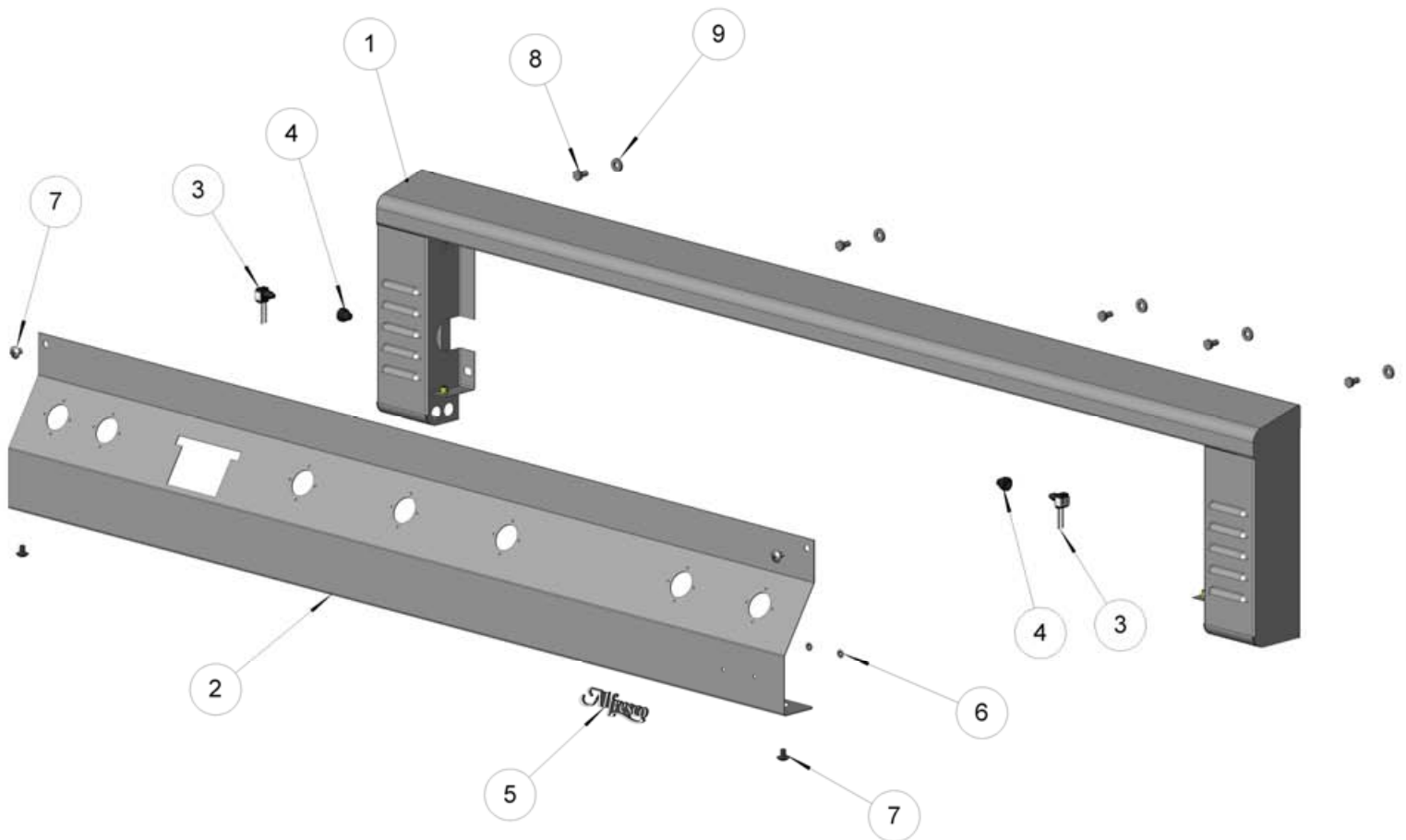
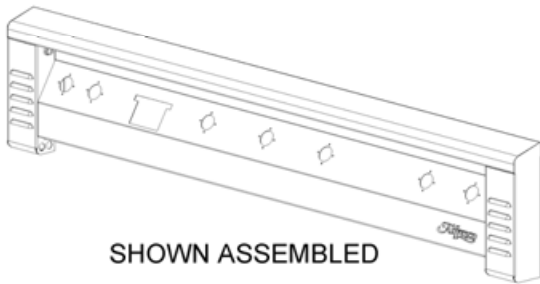


SHOWN ASSEMBLED



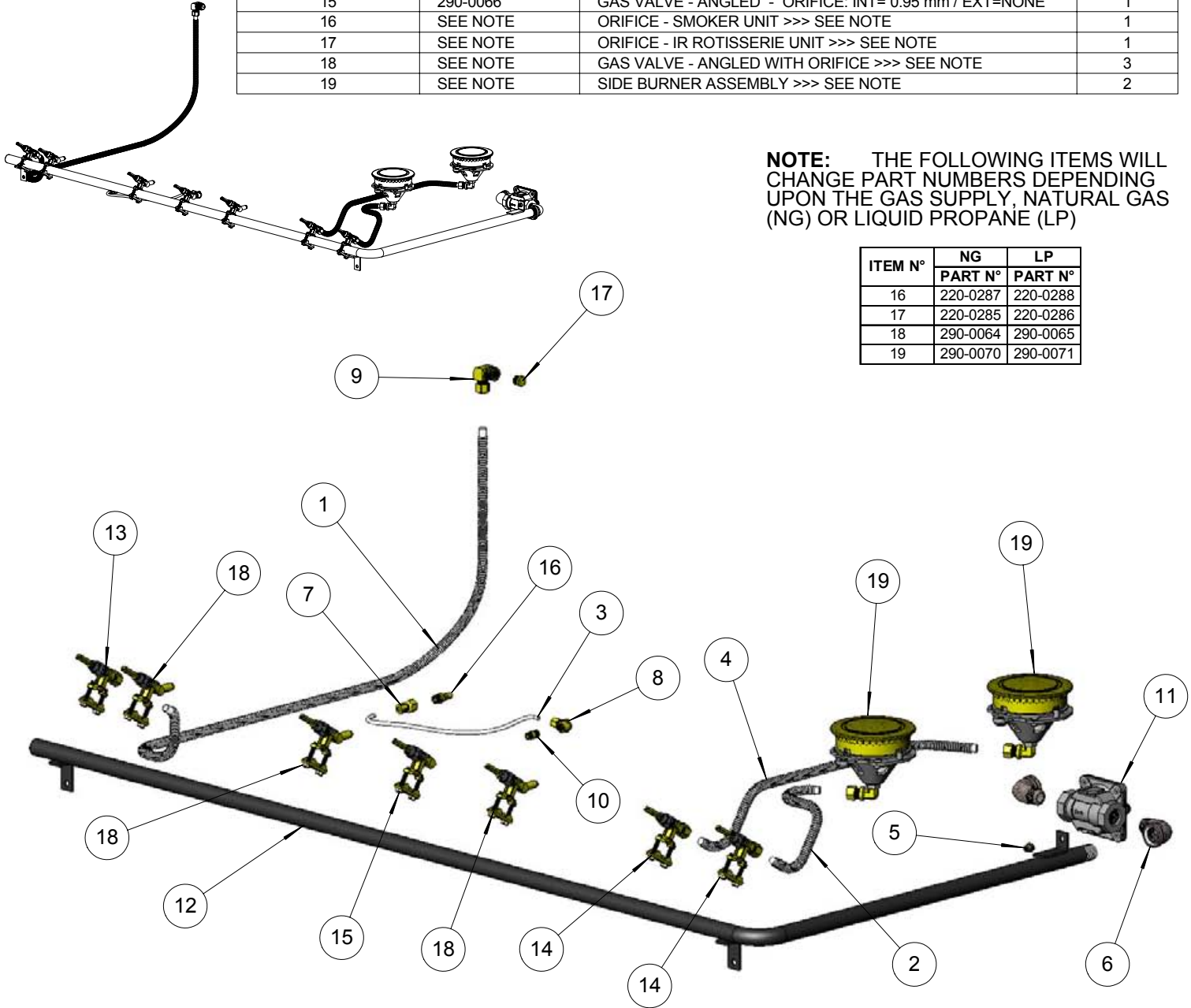
BILL OF MATERIAL

NO.	PART NUMBER	DESCRIPTION	QTY.
1	510-0069	56" BBQ - FRONT - WELDED PARTS	1
2	100-0958	56" BBQ - FRONT PANEL	1
3	210-0197	SWITCH - MOMENTARY	2
4	210-0198	SWITCH - WEATHER BOOT FOR 210-0197	2
5	290-0031	LOGO - ALFRESCO	1
6	200-0093	WASHER - PUSH LOCK 1/8" ID X 3/8" OD (FOR LOGO)	2
7	200-0086	1/4-20 X 3/8 - TRUSS HEAD - PHILIPS SCREW	4
8	200-0089	1/4-20 X 1/2 - HEX HEAD BOLT	5
9	200-0092	1/4 X 1/8 X 5/8 FLAT WASHER - SPACER	5



BILL OF MATERIAL

NO.	PART NUMBER	DESCRIPTION	QTY.
1	100-0914	ROTISSERIE GAS LINE (42"L x 3/8" Ø - SS. FLEX TUBE)	1
2	100-0917	GAS LINE - 8"L X 3/8"Ø FLEX SS TUBING	1
3	100-0933	SMOKER GAS LINE - 3/16" Ø AL TUBING	1
4	100-0941	GAS LINE - 24"L X 3/8"Ø FLEX SS TUBING	1
5	200-0071	RIVNUT - 1/4 x 20 - OPEN END - (SHOWN PRESSED)	1
6	200-0274	ELBOW 90° - CAST IRON - 1/2" FPT x 1/2" MPT	2
7	220-0272	COUPLING 3/16" COMP x 1/4" FPT	1
8	220-0273	ELBOW 90° - 1/8" FPT x 3/16" COMP	1
9	220-0276	ELBOW 3/8" MPT x 1/8" FPT x 3/8" COMP	1
10	220-0277	NIPPLE 1/8"MPT x 1/16"MPT	1
11	220-0280	REGULATOR GAS - MAXITROL RV48CL440002	1
12	220-0310	MANIFOLD GAS FOR 56" BBQ	1
13	290-0041	GAS VALVE - STRAIGHT - WITHOUT ORIFICES	1
14	290-0042	GAS VALVE - SIDE BURNER - WITH INTERNAL ORIFICE	2
15	290-0066	GAS VALVE - ANGLED - ORIFICE: INT= 0.95 mm / EXT=NONE	1
16	SEE NOTE	ORIFICE - SMOKER UNIT >>> SEE NOTE	1
17	SEE NOTE	ORIFICE - IR ROTISSERIE UNIT >>> SEE NOTE	1
18	SEE NOTE	GAS VALVE - ANGLED WITH ORIFICE >>> SEE NOTE	3
19	SEE NOTE	SIDE BURNER ASSEMBLY >>> SEE NOTE	2

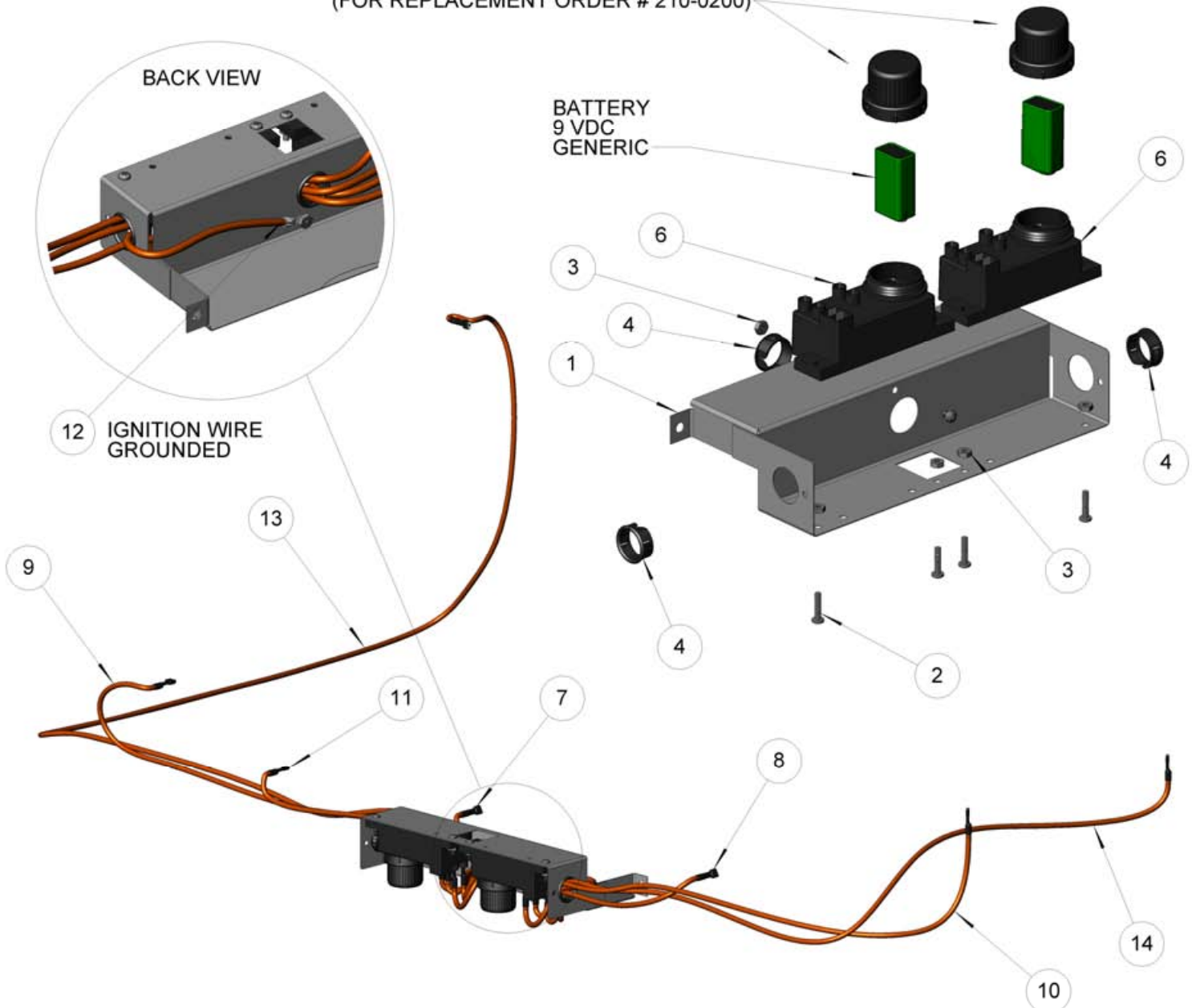


NOTE: THE FOLLOWING ITEMS WILL CHANGE PART NUMBERS DEPENDING UPON THE GAS SUPPLY, NATURAL GAS (NG) OR LIQUID PROPANE (LP)

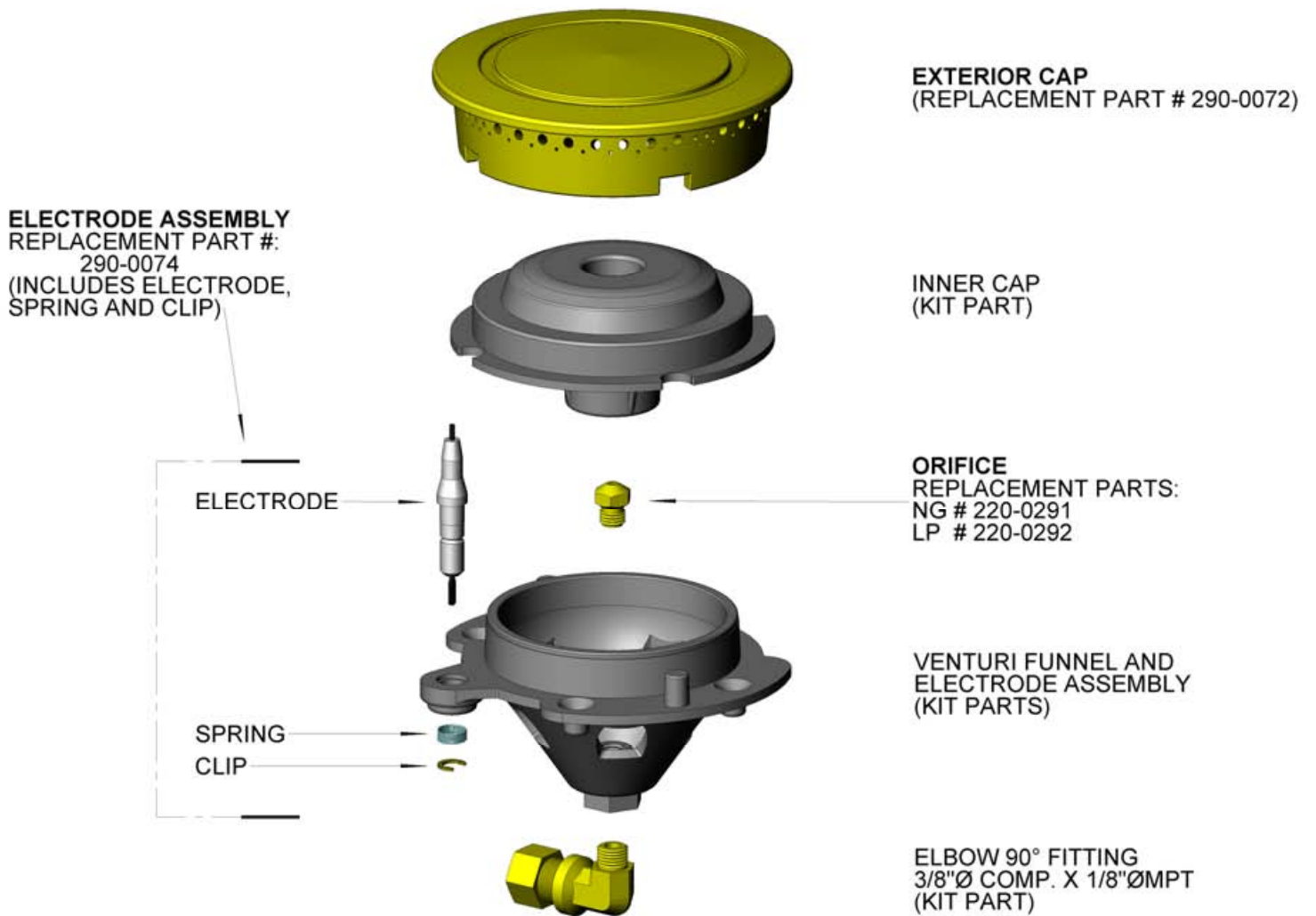
ITEM N°	NG	LP
	PART N°	PART N°
16	220-0287	220-0288
17	220-0285	220-0286
18	290-0064	290-0065
19	290-0070	290-0071

BILL OF MATERIAL			
NO.	PART NUMBER	DESCRIPTION	QTY.
1	100-0934	IGNITER HOLDER BRACKET	1
2	200-0079	8-32 X 3/4 - PAN HEAD - PHILIPS SCREW	4
3	200-0080	8-32 - DOUBLE CHAMFER - HEX NUT	5
4	200-0081	BUSHING HEYCO OCB-1000 - PART # 2878	3
5	200-0083	8-32 X 1/4 - PAN HEAD - PHILIPS SCREW	1
6	210-0194	IGNITER MODULE - 4 POINTS (WITH CAP)	2
7	210-0213	BBQ IGNITER WIRE - 11" L - 1/4" X 1/8" F.SPADE	1
8	210-0213	BBQ IGNITER WIRE - 11" L - 1/4" X 1/8" F.SPADE	1
9	210-0215	BBQ IGNITER WIRE - 30" L - 1/4" X 1/8" F.SPADE	1
10	210-0216	SIDE BURNER IGNITER WIRE - FRONT - 26" L x (2) 1/8" F. SPADE	1
11	210-0216	BBQ IGNITER WIRE - 26" L X (2) 1/8" F.SPADE	1
12	210-0217	BBQ IGNITER WIRE - 12" - 1/8" F.SPADE X 18 GA EYELET	1
13	210-0218	BBQ IGNITER WIRE - 68" L - 1/4" X 1/8" F. SPADE	1
14	210-0225	SIDE BURNER IGNITER WIRE - BACK - 38" L X (2) 1/8" F. SPADE	1

IGNITER BATTERY CAP
(FOR REPLACEMENT ORDER # 210-0200)



NOTE: SIDE BURNER ASSEMBLIES CAN BE ORDERED AS A WHOLE UNIT (KIT) FOR NATURAL GAS (NG) OR LIQUID PROPANE (LP). CAPS, ORIFICES AND ELECTRODES CAN BE INDIVIDUALLY REPLACED IF REQUIRED - SEE COMPONENT NUMBER BELOW.



COMPLETE KITS:

NATURAL GAS (NG) = 290-0070

LIQUID PROPANE (LP) = 290-0071