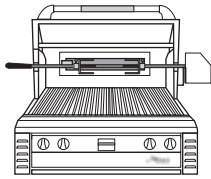


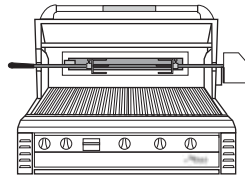
AGBQ SERIES GRILL SPECIFICATIONS

AGBQ-30
 AGBQ-30C
 AGBQ-30SZ
 AGBQ-30SZC
 AGBQ-30IR
 AGBQ-30IRC

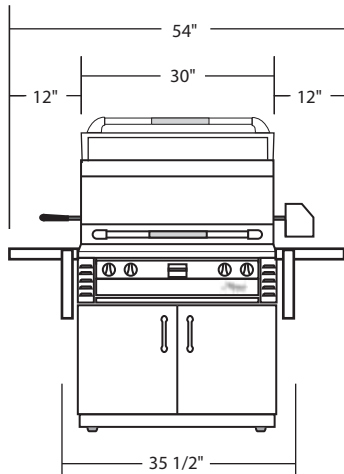
AGBQ-42
 AGBQ-42C
 AGBQ-42SZ
 AGBQ-42SZC



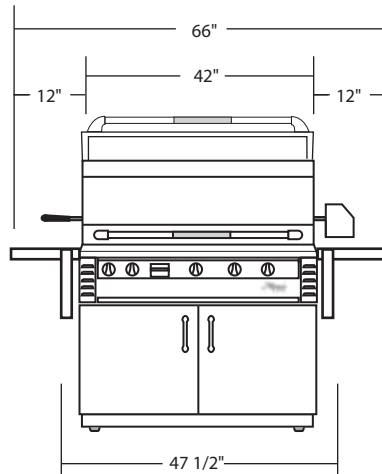
30 INCH GRILLS



42 INCH GRILLS

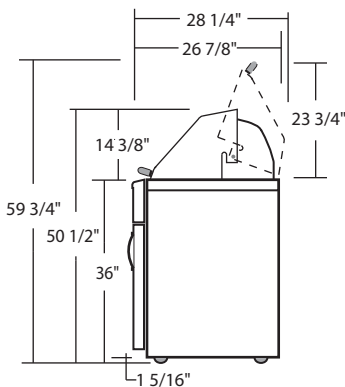


30 INCH GRILLS

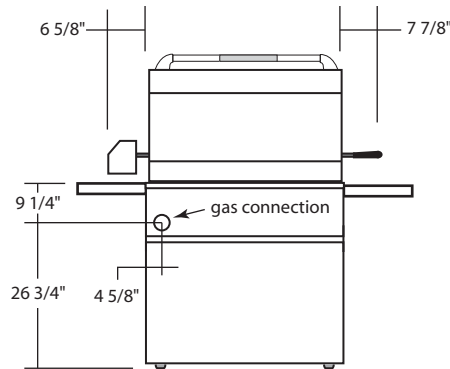


42 INCH GRILLS

FRONT VIEW



END VIEW

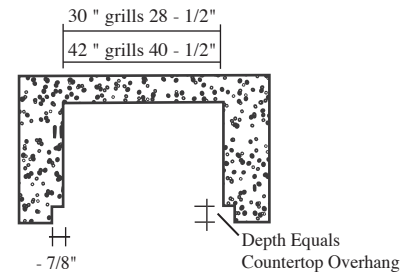
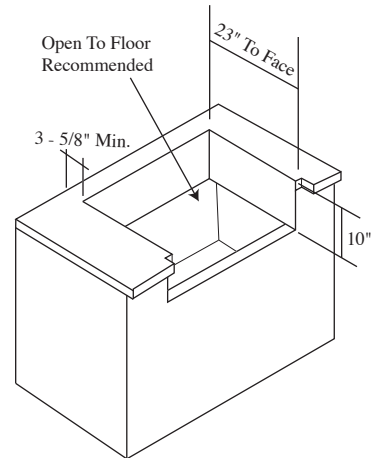


REAR VIEW

MODEL NUMBER	AGBQ-30	AGBQ-42
GRILLING AREA	5 4 2 SQ. INCHES	7 7 0 SQ. INCHES
MAIN GRILL BURNERS	2 @ 2 7, 5 0 0 BTU EA.	3 @ 2 7, 5 0 0 BTU EA.
ROTISSERIE BURNER	1 5, 0 0 0 BTU	1 8, 0 0 0 BTU
SMOKER BURNER	7, 0 0 0 BTU	7, 0 0 0 BTU
APPLIANCE TOTAL BTU	7 7, 0 0 0 BTU	1 0 7, 5 0 0 BTU
SHIPPING WEIGHT (built-in)	1 8 5 lbs	2 6 5 lbs
SHIPPING WEIGHT (on cart)	3 0 5 lbs	3 9 5 lbs



ISLAND PREPARATION



COUNTERTOP DETAIL

GAS REQUIREMENTS

- Natural
- 1 / 2" NPT
 - Gas Supply Pressure: 0.0" W.C
- Propane (LP)
- 1 / 2" NPT
 - Supply Pressure: 11" W.C
 - LP Hose With Regulator Included

ELECTRICAL REQUIREMENTS

- 115 V 50/60 Hz For Rotisserie Motor & Light Accessory

"Create The Ultimate Outdoor Kitchen"

ACCESSORIES & OTHER PRODUCTS

- Heavy Duty Vinyl Cover (recommended)
- Drop-in Steamer Fryer
- Drop-on Stainless Steel Griddle
- Cart Mount Double Side Burner
- Drop-on Griddle For Side Burner
- Stainless Steel Access Doors For Islands
- Stainless Steel Storage Drawers
- Built-in Sterno-fired Food Warmers
- Prep & Waste Centers For Island Installations
- Plating & Garnish centers
- Warming Drawers
- Built-in & Cart Model Cocktail Stations
- Built-in Prep & Hand Sink
- Refrigerator / Keggerator
- Under-Grill Refrigerator w/ Marinating Drawers
- Built-in Countertop Refrigerator
- Completely Sealed Dry Storage Pantry Centers