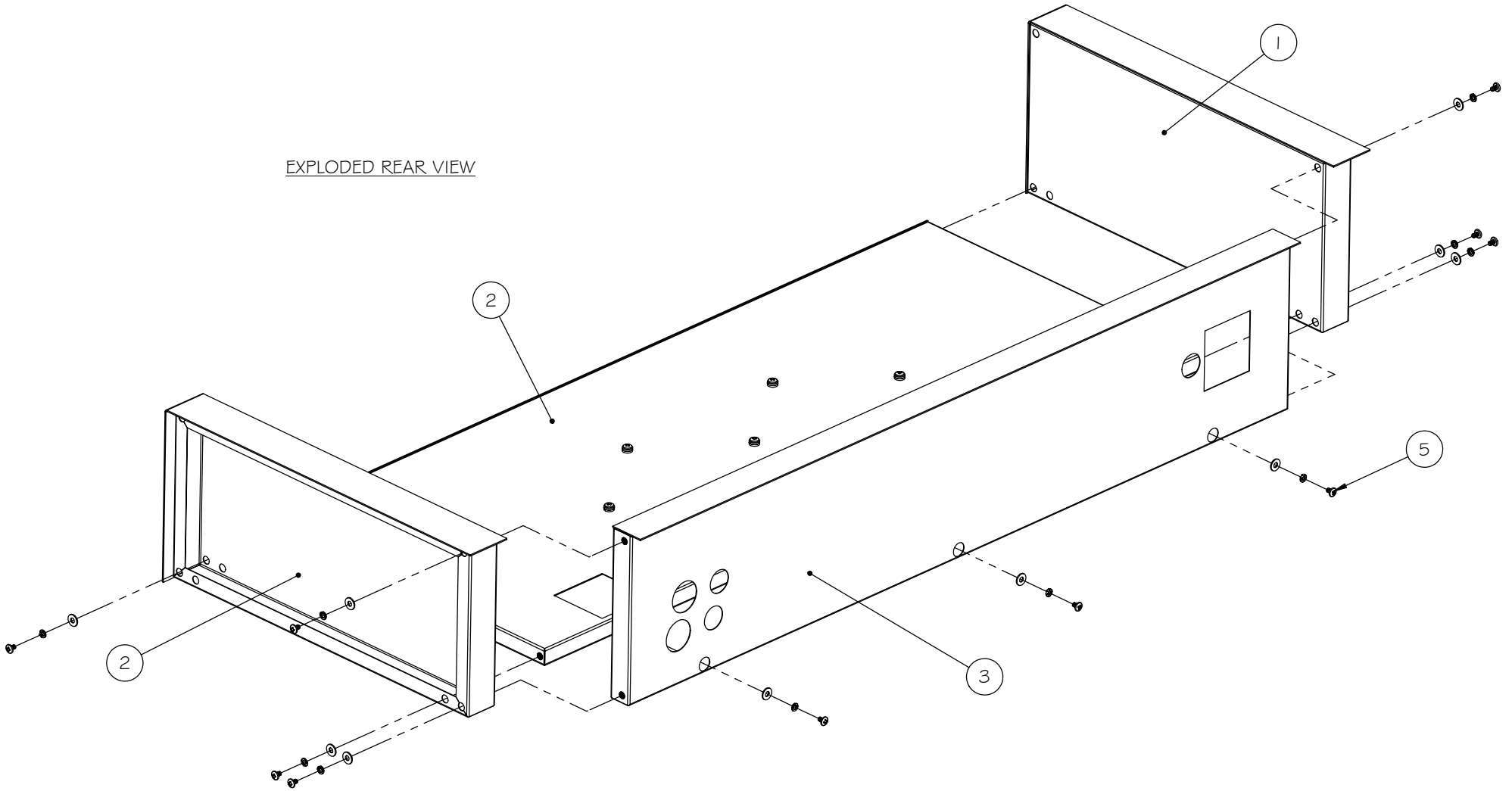


EXPLODED REAR VIEW



**NOTES: All fasteners, bolts and washers are included.  
Refer to Kit# 310-0454**

BILL OF MATERIAL			
NO.	PART NUMBER	DESCRIPTION	QTY.
1	310-0455	LT SIDE PANEL	1
2	310-0462	RT SIDE PANEL	1
3	310-0461	REAR PANEL	1
4	310-0456	BOTTOM PANEL	1
5	310-0453	AIJ-30/42 ASSEMBLY KIT	1

**Alfresco**  
SUPERIOR EQUIPMENT SOLUTIONS  
7039 EAST SLAUSON AVENUE  
COMMERCE, CA. 90040

THE INFORMATION CONTAINED IN THIS DRAWING IS THE SOLE PROPERTY OF SUPERIOR EQUIPMENT SOLUTIONS, INC. ANY REPRODUCTION IN PART OR IS A WHOLE, WITHOUT WRITTEN PERMISSION FROM SUPERIOR EQUIPMENT SOLUTIONS, INC. IS PROHIBITED.

CREATED: Tuesday, March 06, 2007 10:41:21  
DRAWN BY: Jorge Pelayo

CUSTOMER:  
**SES**

PROJECT TITLE:  
**AIJ-56 ASSY INSTRUCTIONS**

DRAWING NO.:  
**510-0246**

DRAWING TITLE:  
**56in. BBQ INSULATED JACKET**

SIZE: LETTER  
SHEET 2 OF 3

I:\DWGS\Alfresco\INSULATED JACKETS\56 IN JACKET\