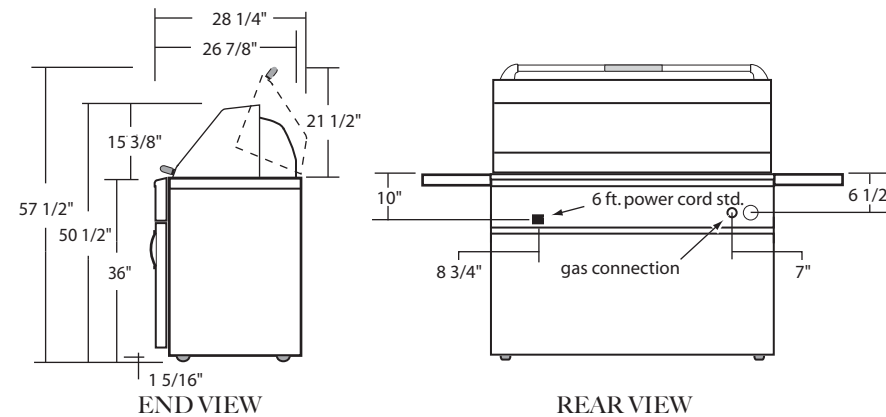
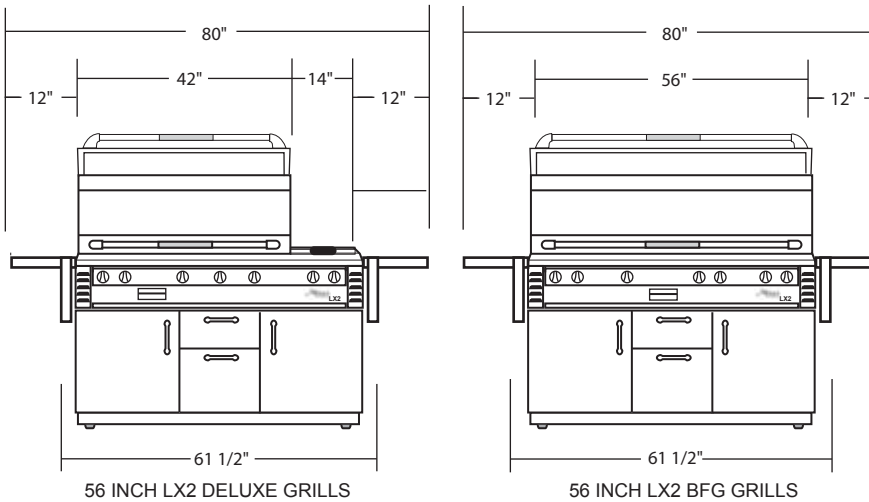
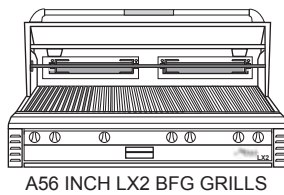
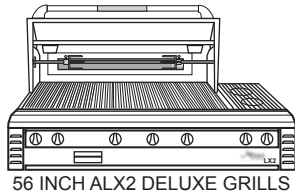


ALX2 SERIES GRILL SPECIFICATIONS

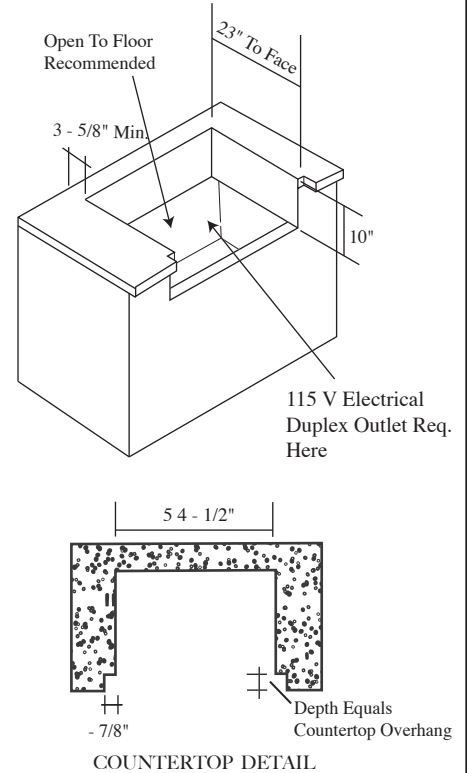
ALX2-56
ALX2-56C
ALX2-56SZ
ALX2-56SZC

ALX2-56BFG
ALX2-56BFGC



| MODEL NUMBER | ALX2-56 | ALX2-56 BFG |
|------------------------------|--------------------|--------------------|
| GRILLING AREA | 770 SQ. INCHES | 998 SQ. INCHES |
| MAIN GRILL BURNERS | 3 @ 27,500 BTU EA. | 4 @ 27,500 BTU EA. |
| SIDE BURNERS | 2 @ 17,000 BTU EA. | — |
| RÖTISSERIE BURNER | 18,000 BTU | 2 @ 15,000 BTU |
| SMOKER BURNER | 7,000 BTU | 7,000 BTU |
| APPLIANCE TOTAL BTU | 175,500 BTU | 147,000 BTU |
| SHIPPING WEIGHT (built-in) | 315 lbs | 320 lbs |
| SHIPPING WEIGHT (on cart) | 455 lbs | 460 lbs |
| SHIPPING WEIGHT (w/ refrig.) | 621 lbs | 621 lbs |

ISLAND PREPARATION



GAS REQUIREMENTS

Natural

- 1/2" NPT
- Gas Supply Pressure: 0.0" W.C

Propane (LP)

- 1/2" NPT
- Supply Pressure: 11" W.C
- LP Hose With Regulator Included

ELECTRICAL REQUIREMENTS

- 115 V 50/60 Hz 1.5 Amps (for Rotisserie Motor and light accessory)

Create The Ultimate Outdoor Kitchen

ACCESSORIES & OTHER PRODUCTS

- Heavy Duty Vinyl Cover (recommended)
- Drop-in Steamer Fryer
- Drop-on Stainless Steel Griddle
- Cart Mount Double Side Burner
- Drop-on Griddle For Side Burner
- Stainless Steel Access Doors For Islands
- Stainless Steel Storage Drawers
- Built-in Sterno-fired Food Warmers
- Prep & Waste Centers For Island Installations
- Plating & Garnish centers
- Warming Drawers
- Built-in & Cart Model Cocktail Stations
- Built-in Prep & Hand Sink
- Refrigerator / Keggerator
- Under-Grill Refrigerator w/ Marinating Drawers
- Built-in Countertop Refrigerator
- Completely Sealed Dry Storage Pantry Centers

Alfresco Open Air Culinary Systems
7039 East Slauson Avenue Commerce, CA 90040
PH: (323)-722-7900 FAX: (323) 726-4700 Toll Free (888) 383-8800
www.alfrescogrills.com