

BAR PACKAGE - ACCESSORIES INSTALLATION

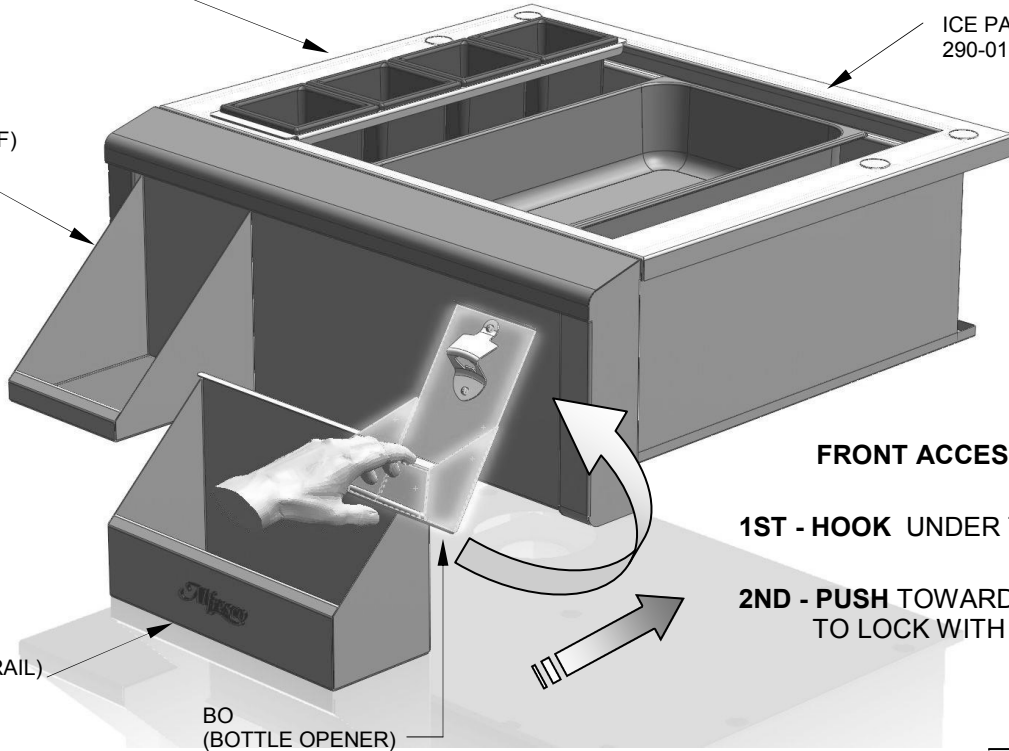


TOP ACCESSORIES
SIMPLY DROP INTO SINK AND LOCATE AS NEEDED

BWELL
(BOTTLE WELLS)
510-0371

ICE PAN
290-0131

BS
(BLENDER SHELF)
510-0353



FRONT ACCESSORIES

1ST - HOOK UNDER TOP CAP LIP

2ND - PUSH TOWARDS FRONT PLATE
TO LOCK WITH MAGNET

SPR-SM
(SMALL SPEED RAIL)
510-0355

BO
(BOTTLE OPENER)
510-0356

TOP CAP "BOTTOM LIP"
TO REST ACCESSORIES

ACCESSORIES THAT MOUNT ON TOP OF THE UNIT SIMPLY DROP INTO THE SINK AND ARE SUPPORTED BY THE SINK RIM OR SINK STEPS.

ACCESSORIES THAT MOUNT ON THE FRONT OF THE UNIT HAVE A MAGNETIC BACKING PAD. HOOK THE ACCESSORY UNDER THE FRONT TOP CAP "LIP" FOR SUPPORT AND PUSH TOWARDS THE FRONT PLATE TO LOCK IN PLACE.

ALL FRONT ACCESSORIES CAN BE LOCATED AS DESIRED.

TYPICAL ACCESSORY
IE: BOTTLE CAP OPENER

