

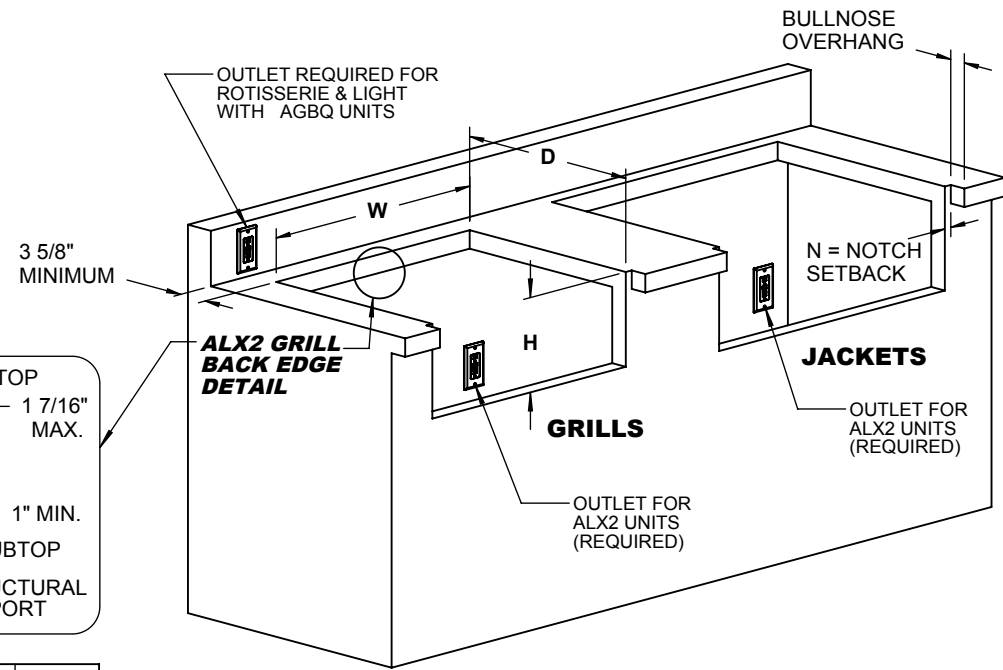
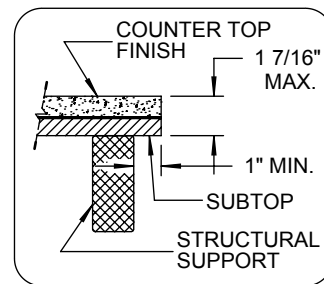
GRILLS & INSULATED JACKETS

| MODEL | CUTOUT DIMENSIONS | | | NOTCH N | POWER | | | GAS LINE |
|----------------|-------------------|---------|---------|------------|-------|----|-------------|-------------|
| | W | D | H | | YES | NO | AMPS | |
| ALX2 / AGBQ-30 | 28-1/2" | 23" | 10-1/4" | 7/8" | ✓ | | 1.44 / 0.91 | ✓ |
| ALX2 / AGBQ-42 | 40-1/2" | 23" | 10-1/4" | 7/8" | ✓ | | 1.44 / 0.91 | ✓ |
| ALX2 / AGBQ-56 | 54-1/2" | 23" | 10-1/4" | 7/8" | ✓ | | 1.44 / 0.91 | ✓ |
| AIJ-30 | 33-1/4" | 24-5/8" | 11-1/4" | 7/8" | ✓ | | ◆ | ✓ |
| AIJ-42 | 45-1/4" | 24-5/8" | 11-1/4" | 7/8" | ✓ | | ◆ | ✓ |
| AIJ-56 | 59-1/4" | 24-5/8" | 11-1/4" | 7/8" | ✓ | | ◆ | ✓ |

NOTE 1: ALL GRILLS REQUIRE A 1/2" NPT GAS CONNECTION WITH 4" WC FOR NATURAL GAS AND 10" WC FOR LIQUID PROPANE.

NOTE 2: ALL POWER SUPPLIES ARE 115 VAC-1Ø- 60 Hz. **GFCI** RECEPTACLE RECOMMENDED.

◆ **NOTE:** POWER REQUIREMENT AS STATED ON THE CORRESPONDING GRILL (NOT DUE TO THE AIJ JACKET BY ITSELF).



COUNTERTOP ACCESSORIES

| MODEL | CUTOUT DIMENSIONS | | | NOTCH N | SETBACK S | POWER | | | GAS LINE | WATER LINE | DRAIN LINE |
|-------------|-------------------|---------|---------|------------|--------------|-------|----|------|-------------|---------------|---------------|
| | W | D | H | | | YES | NO | AMPS | | | |
| AGVPC | 21-1/2" | 22-1/2" | 10-1/4" | 1-3/8" | | | ✓ | | ✓ | | |
| AGVPC-T10 | 4-1/2" | 4-1/2" | | | 1-5/8" ❖ | | ✓ | | | 3/8" Ⓢ | |
| AGSB / AGSZ | 13-1/4" | 23" | 10-1/4" | 1/2" | | | ✓ | | ✓ | | |
| AFW | 13-1/4" | 23" | 10-1/4" | 1/2" | | | ✓ | | | | |
| ADT-14 | 13-1/4" | 23" | 9-1/4" | 1/2" | | | ✓ | | | 1/2" | 1" |
| ADT-24 | 23-1/4" | 23" | 10-1/4" | 1/2" | | | ✓ | | | | 1" |
| ADT-30 | 28-1/2" | 23" | 10-1/4" | 3/4" | | | ✓ | | | 1/2" | 1" + 2" |
| AGBC-30 | 28-1/2" | 23" | 10-1/4" | 7/8" | | ✓ | | | 0.08 | | 1-1/2" |
| ASK-T | 13-1/4" | 23" | 10-1/4" | 1/2" | | | ✓ | | | 1/2" | 1" |
| APS-30 | 27-1/2" | 8-3/4" | 9-1/4" | 1-3/8" | | | ✓ | | | | |
| APS-30P | 27-1/2" | 15-1/4" | 9-1/4" | 1-3/8" | | | ✓ | | | | |

NOTE 1: ALL BURNERS REQUIRE A 1/2" NPT GAS CONNECTION WITH 4" WC FOR NATURAL GAS AND 10" WC FOR LIQUID PROPANE.

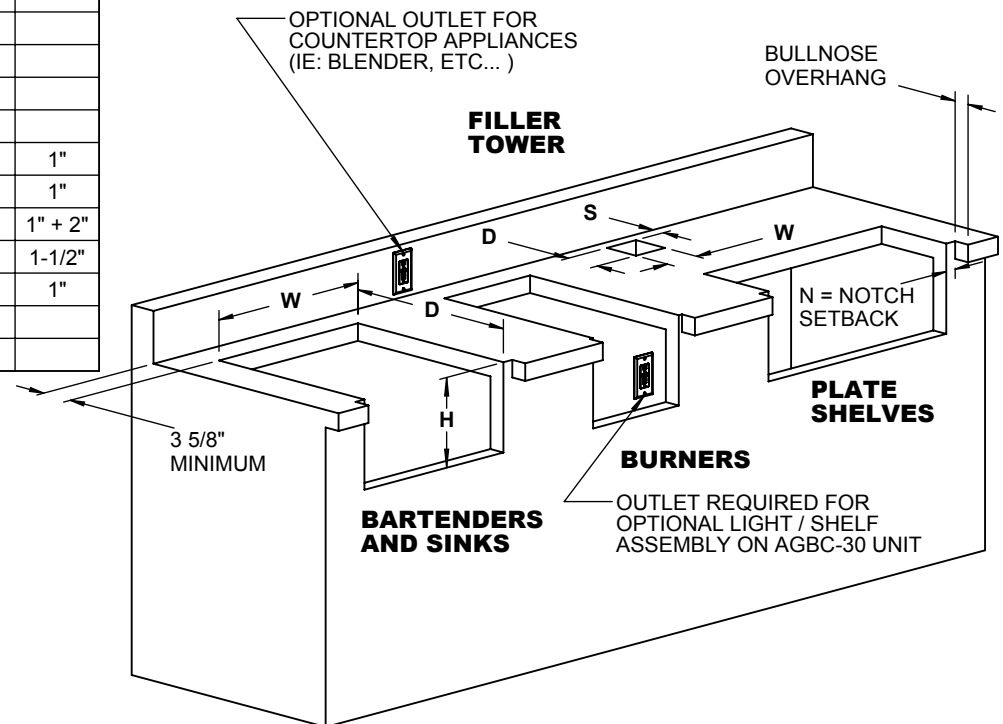
NOTE 2: ALL WATER LINES ARE 3/8" COMPRESSION OR 1/2" NPSM UNLESS OTHERWISE SHOWN.

NOTE 3: ALL DRAINS SIZES AS SHOWN ARE NPSM STANDARD.

NOTE 4: ALL POWER SUPPLIES ARE 115 VAC-1Ø- 60 Hz. **GFCI** RECEPTACLE RECOMMENDED.

❖ **NOTE:** THE AGVPC-T10 POT FILLER TOWER REQUIRES A MINIMUM SETBACK AS SHOWN (OVER AND UNDER THE COUNTER) FROM THE BACK WALL FOR PROPER HARDWARE INSTALLATION.

Ⓢ **NOTE:** THE AGVPC-T10 POT FILLER TOWER REQUIRES A 3/8" COMPRESSION WATER LINE AND COMES WITH A 72" LONG COPPER LINE FOR FIELD CONNECTION.



THE INFORMATION CONTAINED IN THIS DRAWING IS THE SOLE PROPERTY OF SUPERIOR EQUIPMENT SOLUTIONS, INC. ANY REPRODUCTION IN PART OR AS A WHOLE WITHOUT WRITTEN PERMISSION FROM SUPERIOR EQUIPMENT SOLUTIONS, INC. IS PROHIBITED.
CUSTOMER: SES
 C:\Working\MANUAL\

DRAWN BY: ADRIAN CRISCI
MATERIAL:
FINISH:
WEIGHT: Lbs.

CREATED: 6/30/2009 11:26:29 AM
PROJECT TITLE: ALFRESCO UNITS
DRAWING TITLE:
COUNTERTOP AND COUNTER FRONT CUTOUT REQUIREMENTS

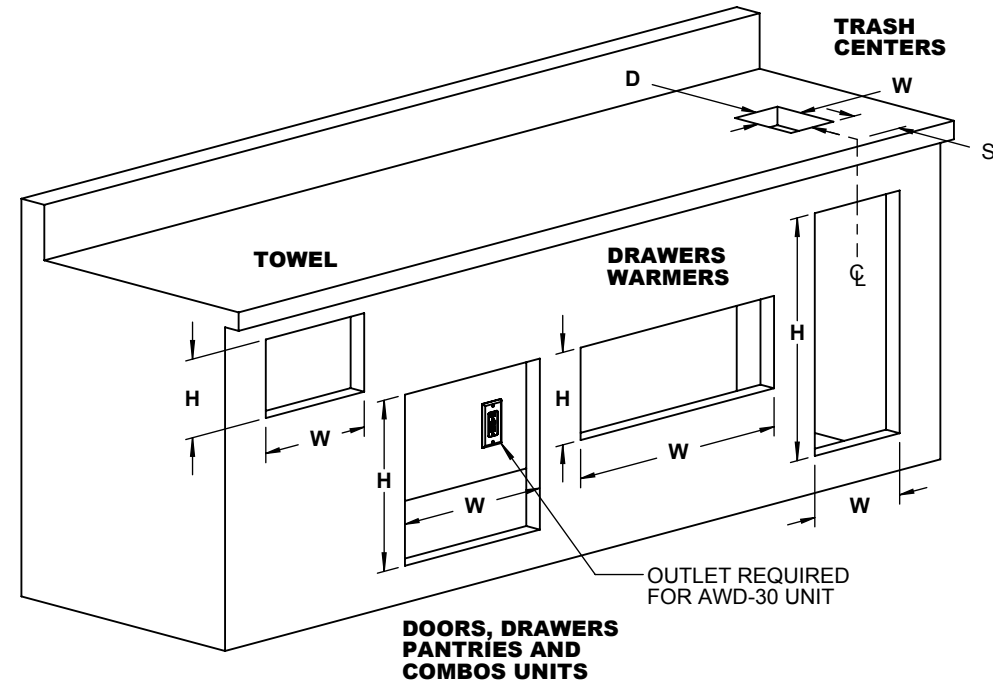
DRAWING NO.: COUNTER CUTOUTS
PAGE SIZE:
 LETTER
 SHEET 1 OF 2

FRONT MOUNTED ISLAND ACCESSORIES, PANTRIES, DOORS, DRAWERS AND COMBO UNITS

| MODEL | CUTOUT DIMENSIONS | | | SETBACK | POWER | | |
|---------------------|-------------------|---------|--------|----------|-------|----|------|
| | W | H | D | S | YES | NO | AMPS |
| AB-17L / AB-17R | 13-7/8" | 18-1/2" | | | | ✓ | |
| AB-23L / AB-23R | 19-7/8" | 18-1/2" | | | | ✓ | |
| AB-30 | 27-1/4" | 18-1/2" | | | | ✓ | |
| AB-42 | 39-1/4" | 18-1/2" | | | | ✓ | |
| AB-DDC-L / AB-DDC-R | 29-1/4" | 18-1/2" | | | | ✓ | |
| AB-2DR | 14-3/4" | 12-1/2" | | | | ✓ | |
| AB-3DR | 14-3/4" | 19-1/4" | | | | ✓ | |
| AB-30DR | 27-3/4" | 14" | | | | ✓ | |
| AB-TC (TRASH ONLY) | 12-1/2" | 26-1/4" | | | | ✓ | |
| AB-TH | 14-1/2" | 8-1/2" | | | | ✓ | |
| ADSP-30H | 28-3/8" | 31-3/4" | | | | ✓ | |
| ADSP-30L | 28-3/8" | 19-3/8" | | | | ✓ | |
| ADSP-42H | 40-3/8" | 31-3/4" | | | | ✓ | |
| ADSP-42L | 40-3/8" | 19-3/8" | | | | ✓ | |
| APWC (CHUTE ONLY) | 6-1/4" | | 8-1/4" | 4-5/8" ♦ | | ✓ | |
| AWD-30 | 28-1/2" | 10" | | | ✓ | | 3.9 |

NOTE: ALL POWER SUPPLIES ARE 115 VAC-1Ø- 60 Hz. **GFCI** RECEPTACLE RECOMMENDED.

♦ **NOTE:** SETBACK MEASURED FROM CABINET FACE (NOT BULLNOSE!).



REFRIGERATORS

| MODEL | DIMENSIONS | | | NOTCH | SETBACK | POWER | | | DRAIN LINE |
|-----------|------------------|---------|-----|--------|-------------|-------|----|------|------------|
| | W | H | D | N | S | YES | NO | AMPS | |
| AKK | 2" DIAMETER HOLE | | | | 21-15/16" ❖ | | ✓ | | |
| ARDI | 23" | 32" | 23" | 13/16" | | ✓ | | 5.7 | 1" ☉ |
| ARFG-42FB | 42-1/2" | 21-3/4" | | | 2" ♦ | ✓ | | 2.9 | |
| URS-1 | 28-1/2" | 35" | | | | ✓ | | 2.8 | |

NOTE: ALL POWER SUPPLIES ARE 115 VAC-1Ø- 60 Hz. **GFCI** RECEPTACLE RECOMMENDED.

❖ **NOTE:** SETBACK MEASURED FROM CABINET FRONT (NOT BULLNOSE!).

☉ **NOTE:** DRAIN SIZE IS NPSM - FLOOR DRAIN IN LIEU OF WALL MOUNT IS ACCEPTABLE.

♦ **NOTE:** SETBACK MINIMUM DISTANCE FROM FLOOR TO ACCOMODATE ARFG-42 PERIMETER FLANGE.

