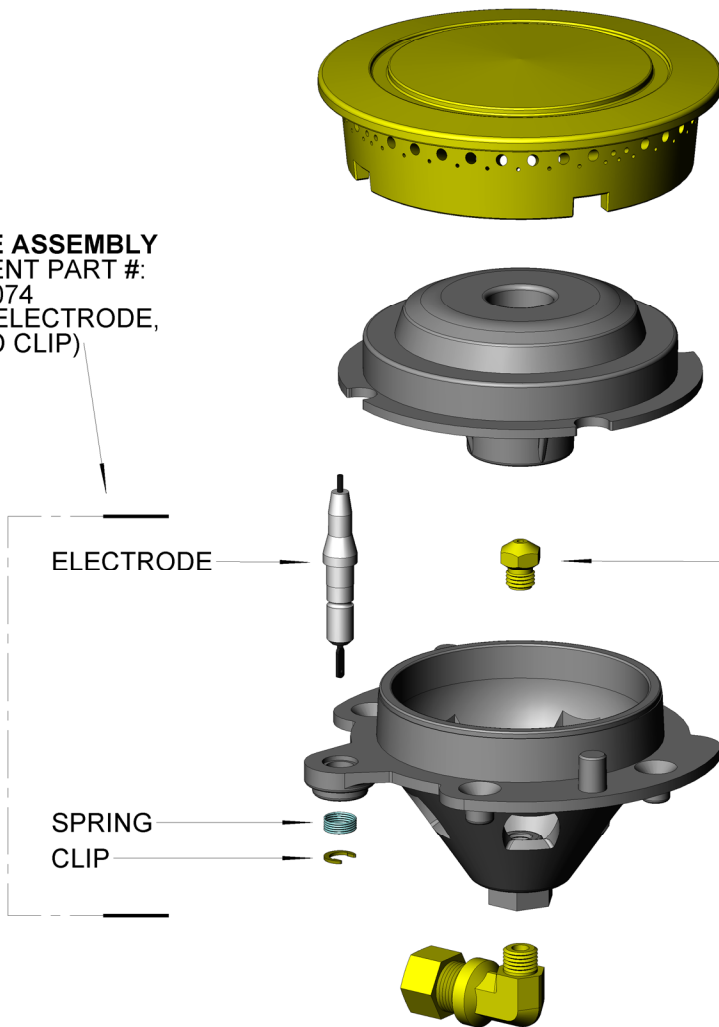


NOTE: SIDE BURNER ASSEMBLIES CAN BE ORDERED AS A WHOLE UNIT (KIT) FOR NATURAL GAS (NG) OR LIQUID PROPANE (LP). CAPS, ORIFICES AND ELECTRODES CAN BE INDIVIDUALLY REPLACED IF REQUIRED - SEE COMPONENT NUMBER BELOW.

ELECTRODE ASSEMBLY
REPLACEMENT PART #:
290-0074
(INCLUDES ELECTRODE,
SPRING AND CLIP)



EXTERIOR CAP
(REPLACEMENT PART # 290-0072)

INNER CAP
(KIT PART)

ORIFICE
REPLACEMENT PARTS:
NG # 220-0291
LP # 220-0292

**VENTURI FUNNEL AND
ELECTRODE ASSEMBLY**
(KIT PARTS)

ELECTRODE

SPRING
CLIP

ELBOW 90° FITTING
3/8"Ø COMP. X 1/8"ØMPT
(KIT PART)

COMPLETE KITS:

NATURAL GAS (NG) = 290-0070

LIQUID PROPANE (LP) = 290-0071