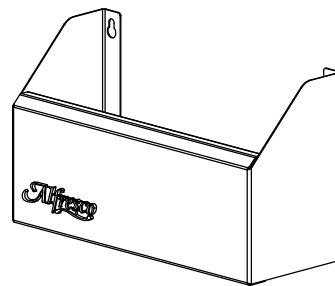
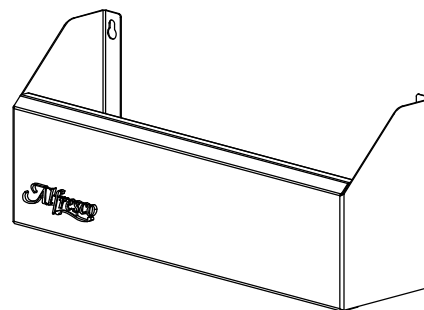


WALL MOUNTED SPEED RAIL TYPICAL INSTALLATION

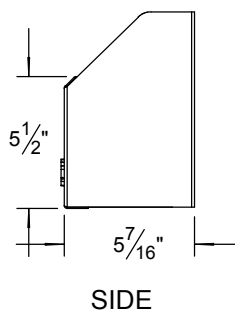
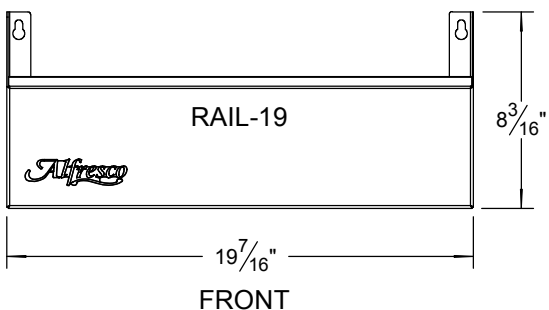
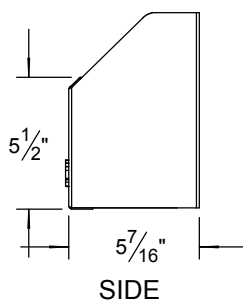
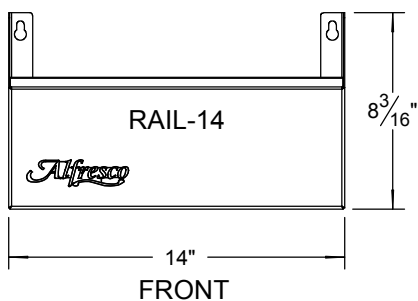


RAIL-14

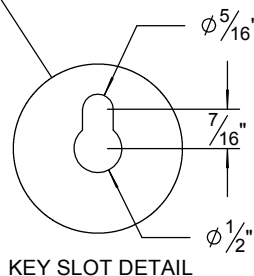
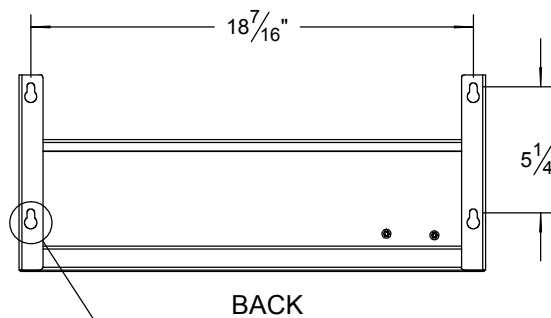
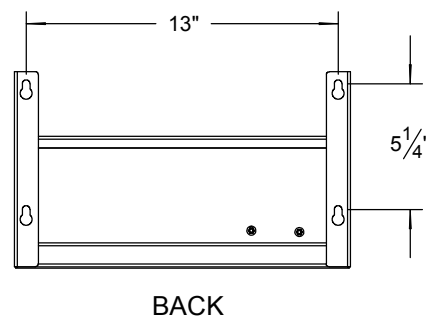


RAIL-19

SPEED RAIL DIMENSIONS:



HOLE MOUNTING PATTERN:



KEY SLOT DETAIL

NOTE:

IT IS RECOMMENDED THAT THE SPEED RAILS BE MOUNTED TO A WALL SURFACE WITH # 12 PAN HEAD SCREWS (Ø 0.425" HEAD) AND OF THE APPROPRIATE LENGTH TO PROPERLY MOUNT ON THE KEY SLOTS AT THE BACK OF THE UNITS.