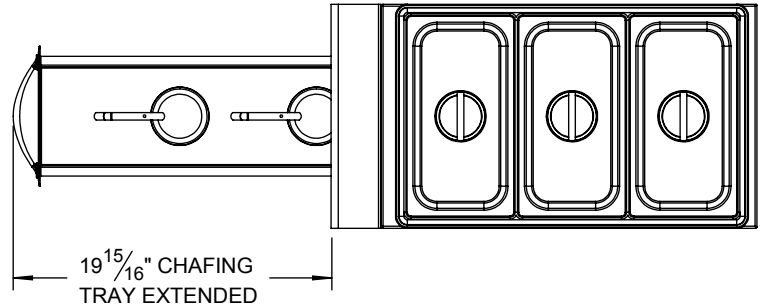
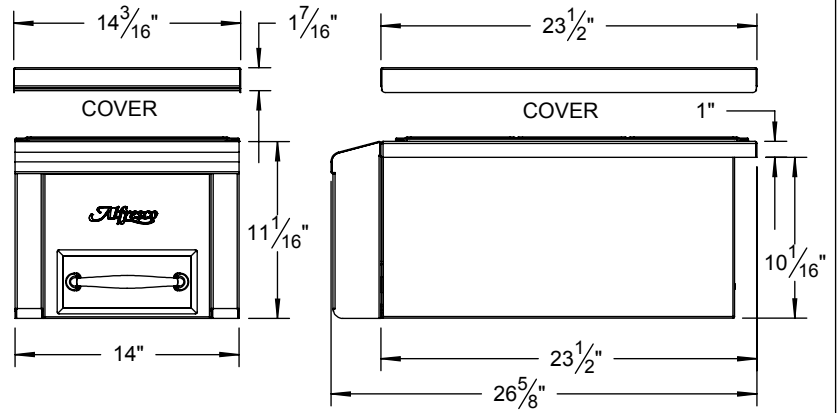
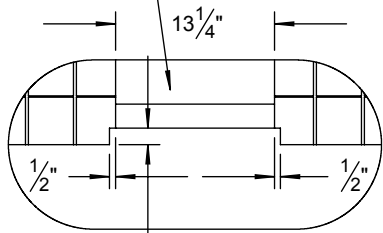
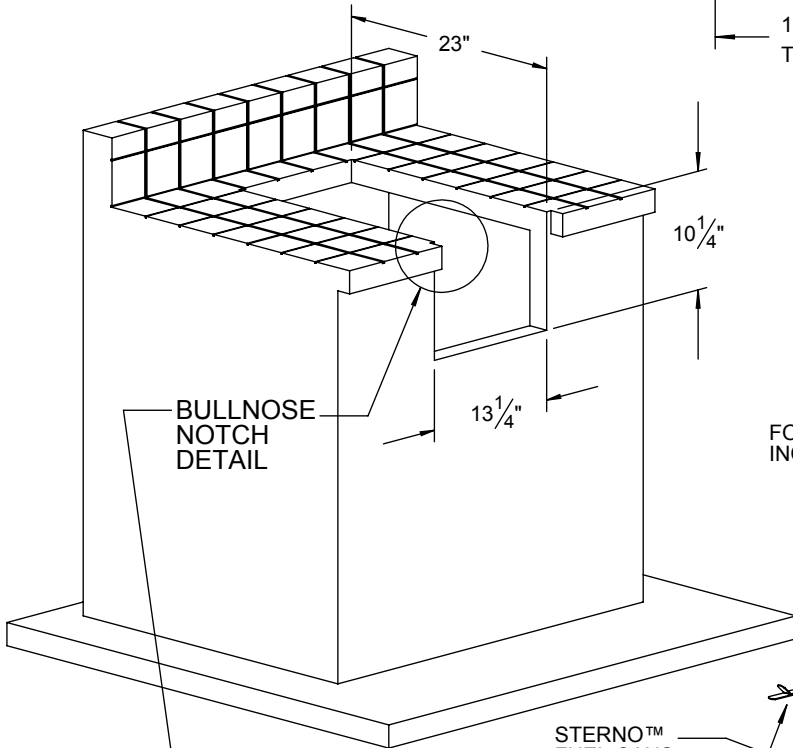


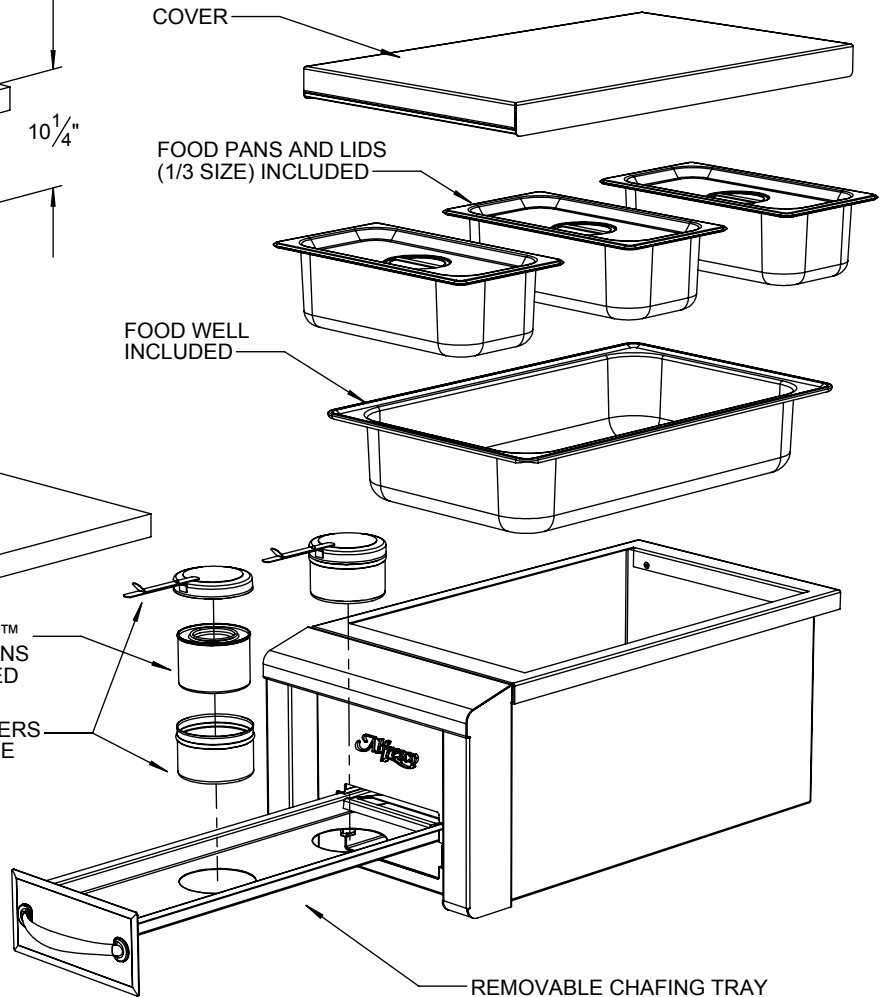
AFW TYPICAL INSTALLATION



COUNTERTOP CUTOUT REQUIREMENTS



DEPTH EQUAL TO BULLNOSE OVERHANG



Alfresco

SUPERIOR EQUIPMENT SOLUTIONS
7039 EAST SLAUSON AVENUE
COMMERCE, CA. 90040

THE INFORMATION CONTAINED IN THIS DRAWING IS THE SOLE PROPERTY OF SUPERIOR EQUIPMENT SOLUTIONS INC. ANY REPRODUCTION IN PART OR AS A WHOLE WITHOUT WRITTEN PERMISSION FROM SUPERIOR EQUIPMENT SOLUTIONS, INC. IS PROHIBITED.

DRAWN BY: ADRIAN CRISCI
CREATED: 11/1/2007 2:56:28 PM

PROJECT TITLE: AFW

DRAWING TITLE:

AFW - FOOD WARMER SPECIFICATIONS

DRAWING NO.:

AFW SPEC SHEET