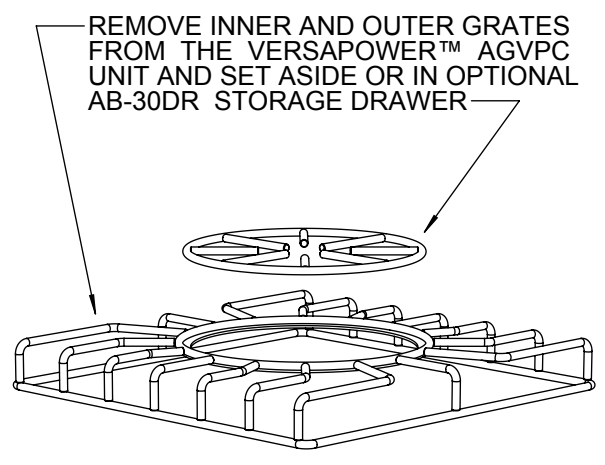
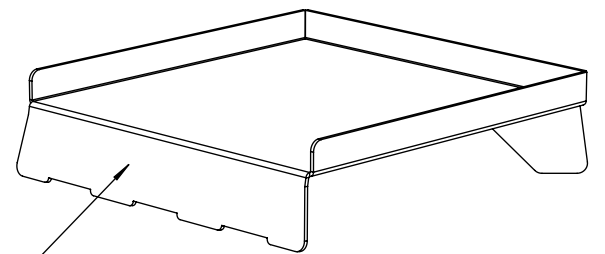


AGVPC-TG TYPICAL INSTALLATION

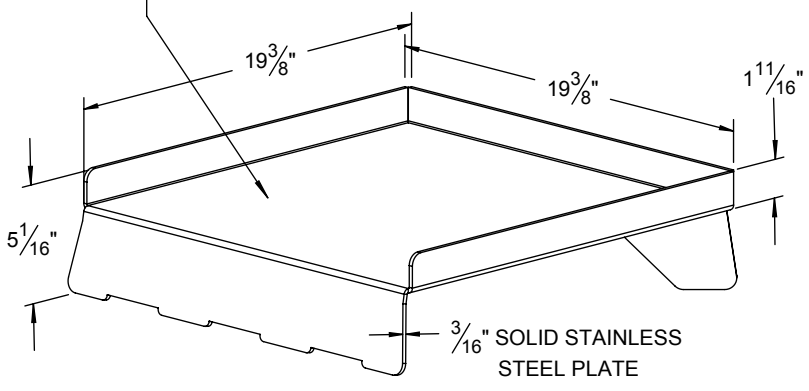


REMOVE INNER AND OUTER GRATES FROM THE VERSAPOWERTM AGVPC UNIT AND SET ASIDE OR IN OPTIONAL AB-30DR STORAGE DRAWER

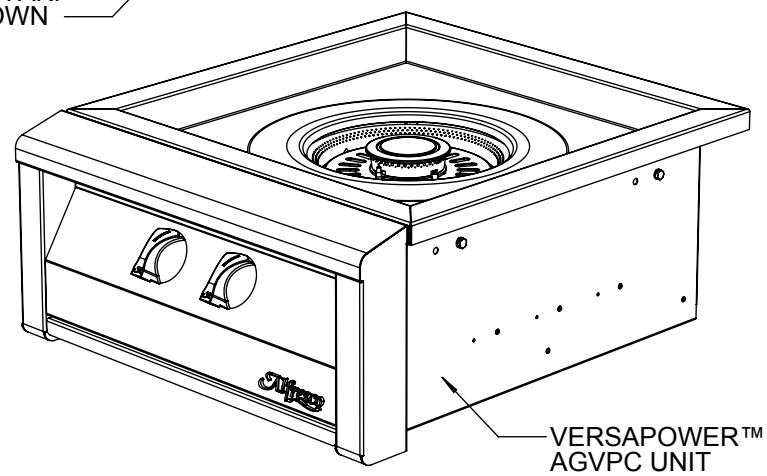


INSTALL TEPPANYAKI GRIDDLE AS SHOWN

OVER 2½ SQ.FT. OF COOKING AREA!



3/16" SOLID STAINLESS STEEL PLATE



VERSAPOWER™ AGVPC UNIT

This optional accessory brings a new level of versatility to your Versapower™ Unit by enabling you to cook with power and precise heat teppan, fajitas, breakfast or juicy burgers on a large 2-1/2 Sq.Ft griddle.

The AGVPC-TG unit is installed in the Versapower™ Units by removing the existing inner and outer grate.

The covered frontal solid plate prevents heat from escaping to the front of unit and combustion gases only exhausts through the sides and the back of the unit away from Cook's hands.

Always start the griddle at moderate heat settings and adjust as necessary, as the Versapower™ yields an unprecedented 65,000 BTUH of heat.

The drip pan design of the Versapower™ unit keeps the burners free of debris and makes it very easy to clean, while the 3/16" heavy gauge griddle is sized to fit standard dishwashers for even easier cleaning!

To ensure safe operation and quality results, always follow the instructions that come in your Versapower™ unit's Care & Use Manual.

Note: Please handle a hot griddle with care as it takes a long time to cool down to the touch due to the heavy gauge of the material used in it's construction