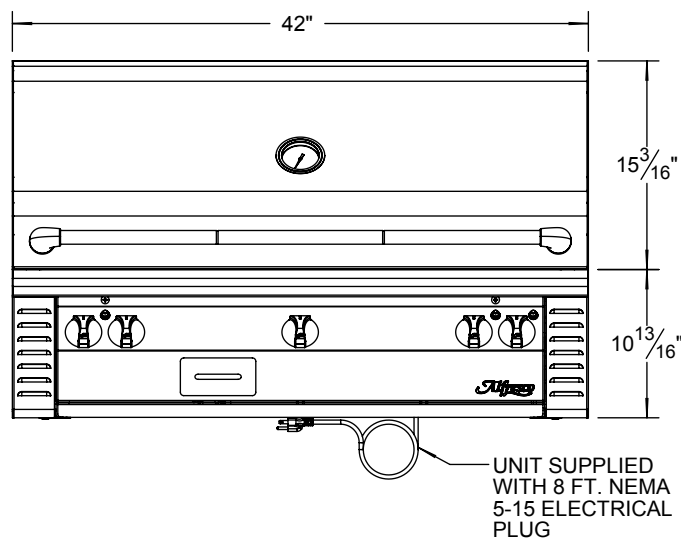
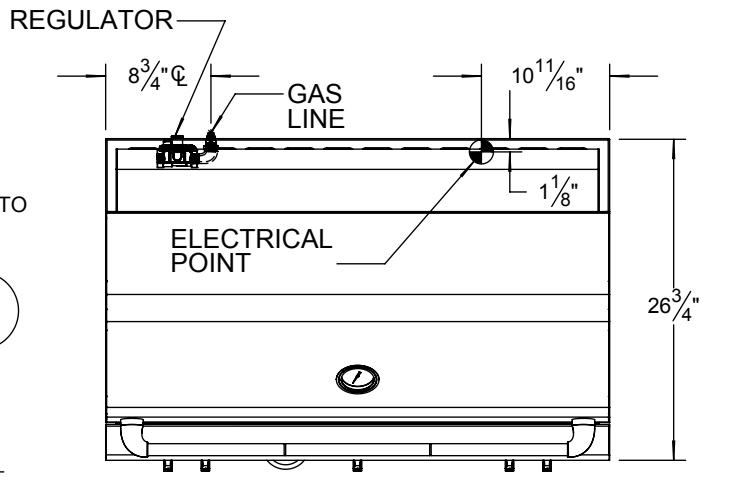
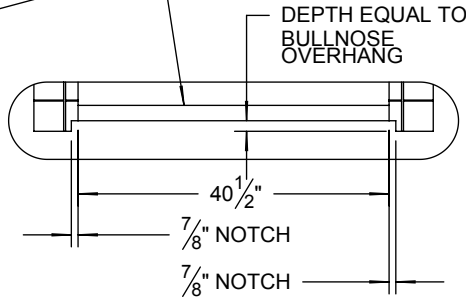
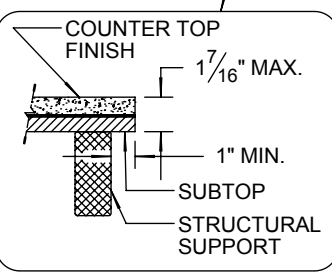
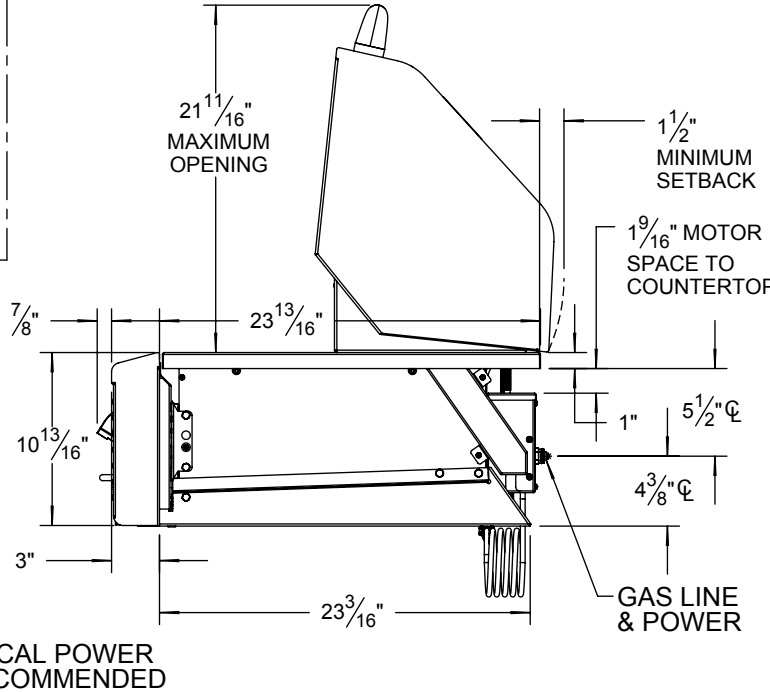
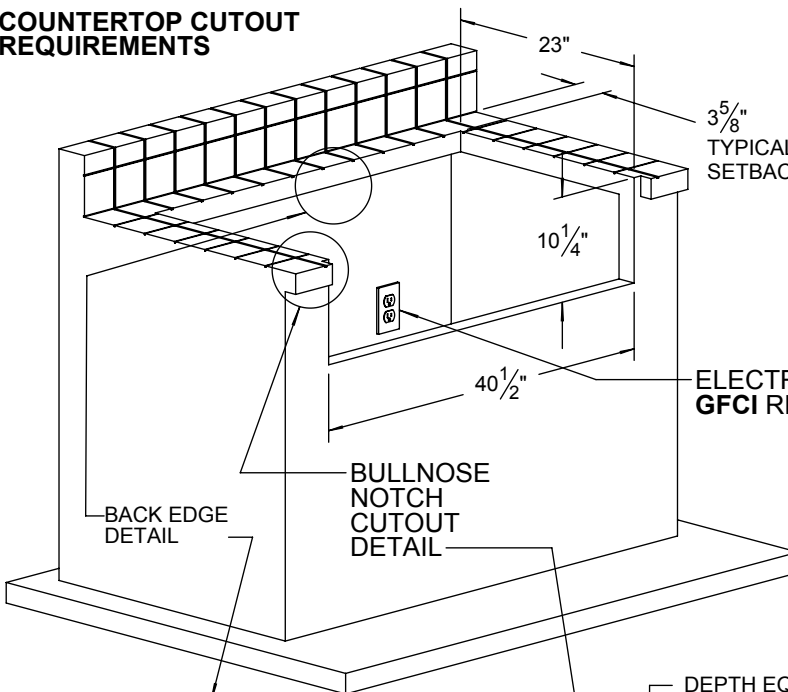


TYPICAL ALX2-42 / 42SZ INSTALLATION



COUNTERTOP CUTOUT REQUIREMENTS



SPECIFICATIONS:

BTUH = 108,000  
 FUEL = NG @ 5 W.C. OR LP @ 10 W.C.  
 ELECTRICAL POWER = 115 VAC / 1.44 AMPS / 60 Hz.  
 GAS CONNECTION = 1/2" NPT (NG) OR 3/8" ODF (LP)

NOTE: COUNTER MUST HAVE PROPER GAS SUPPLY AND POWER SUPPLY FOR YOUR ALFRESCO BBQ.

<p>SUPERIOR EQUIPMENT SOLUTIONS 7039 EAST SLAUSON AVENUE COMMERCE, CA. 90040</p>	<p>THE INFORMATION CONTAINED IN THIS DRAWING IS THE SOLE PROPERTY OF SUPERIOR EQUIPMENT SOLUTIONS INC. ANY REPRODUCTION IN PART OR AS A WHOLE WITHOUT WRITTEN PERMISSION FROM SUPERIOR EQUIPMENT SOLUTIONS, INC. IS PROHIBITED.</p>	<p>PROJECT TITLE: <b>ALFRESCO GRILLS</b></p>	<p>DRAWING NO.: <b>ALX2-42 SPEC SHEET</b></p>
	<p>DRAWN BY: ADRIAN CRISCI CREATED: 9/2/2011 1:12:27 PM</p>	<p>DRAWING TITLE: <b>ALX2-42 / 42 SZ SPECIFICATIONS</b></p>	<p>SHEET 1 OF 1</p>