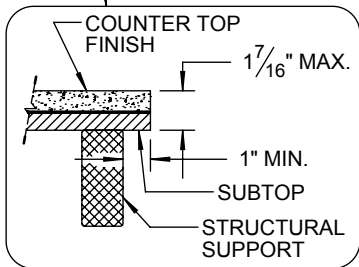
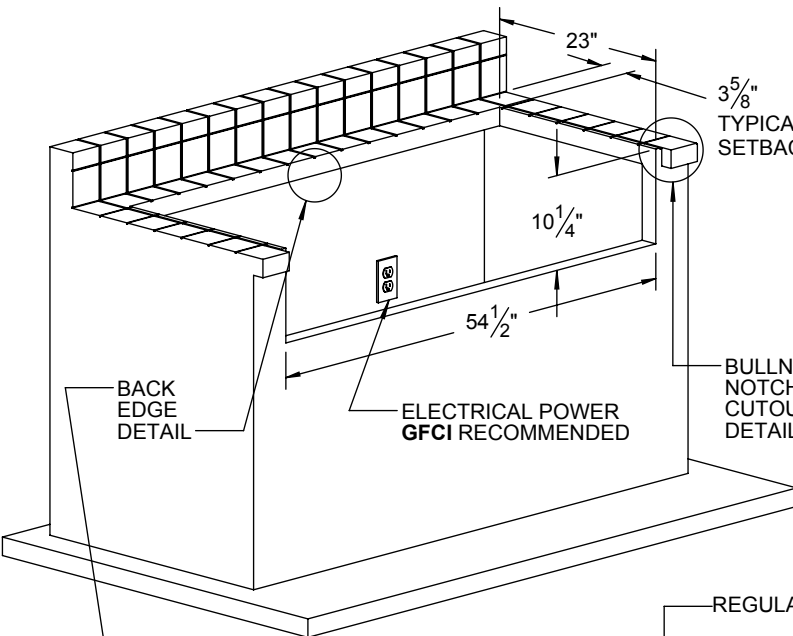


TYPICAL ALX2-56 / 56SZ INSTALLATION

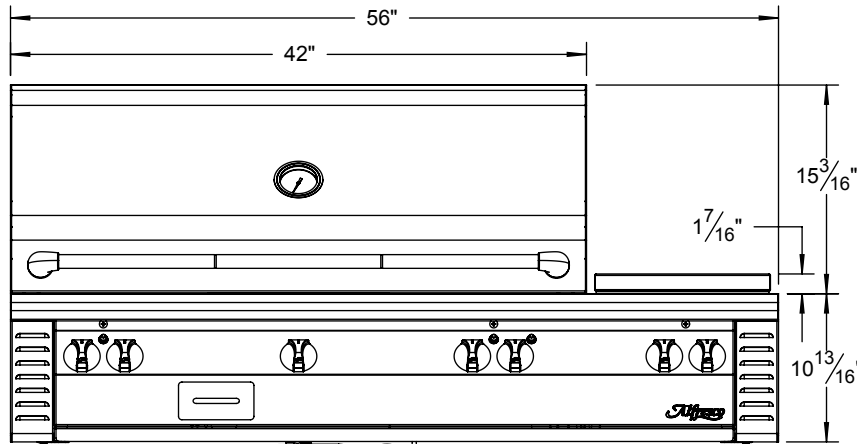
COUNTERTOP CUTOUT REQUIREMENTS



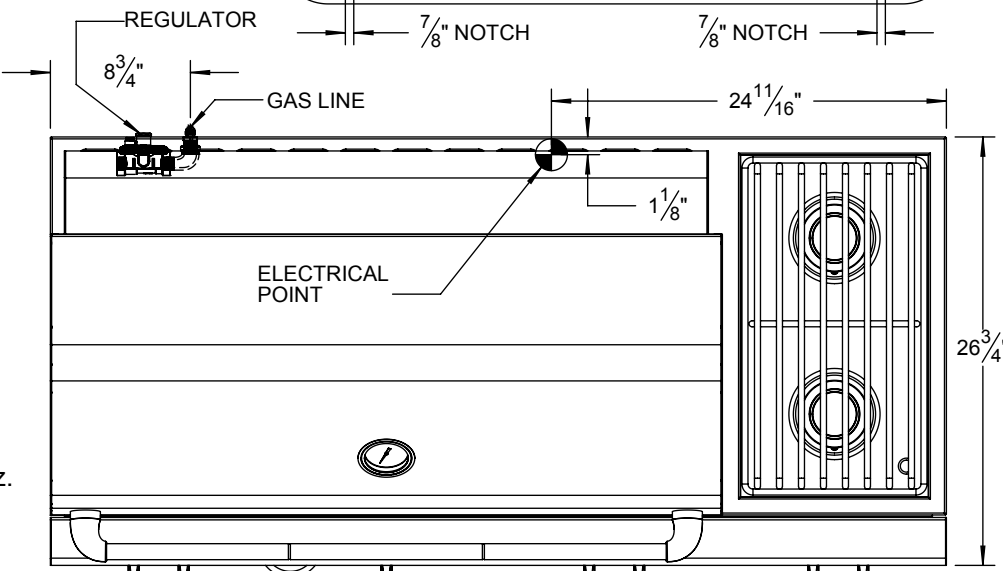
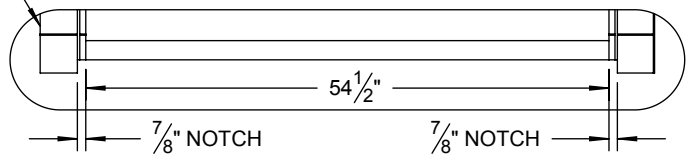
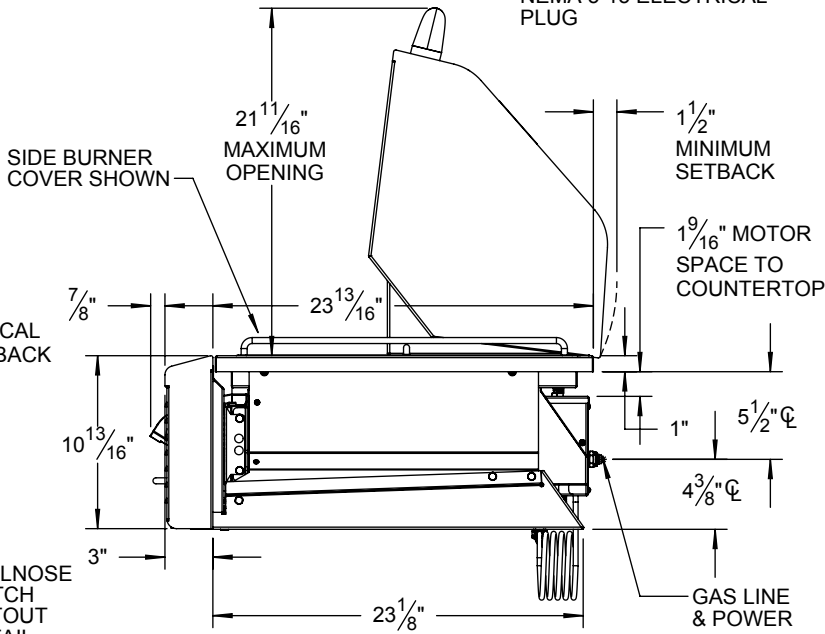
SPECIFICATIONS:

BTUH = 148,000
 FUEL = NG @ 5" W.C. OR LP @ 10" W.C.
 ELECTRICAL POWER = 115 VAC / 1.44 A / 60 Hz.
 GAS CONNECTION = 1/2" NPT (NG) OR 3/8" ODF (LP)

NOTE: COUNTER MUST HAVE PROPER GAS AND POWER SUPPLIES FOR YOUR ALFRESCO BBQ.



UNIT SUPPLIED WITH 8 FT. NEMA 5-15 ELECTRICAL PLUG



SHOWN WITHOUT SIDE BURNER COVER