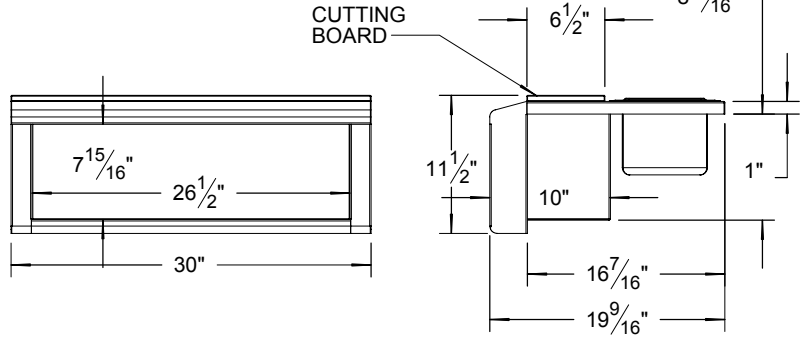
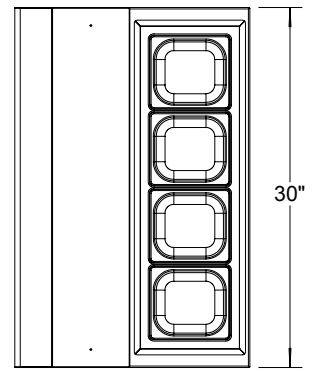
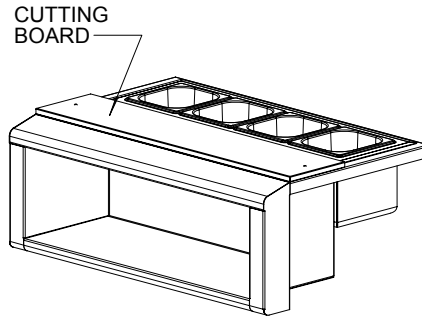


APS-30 TYPICAL INSTALLATION

APS-30P (WITH PANS)

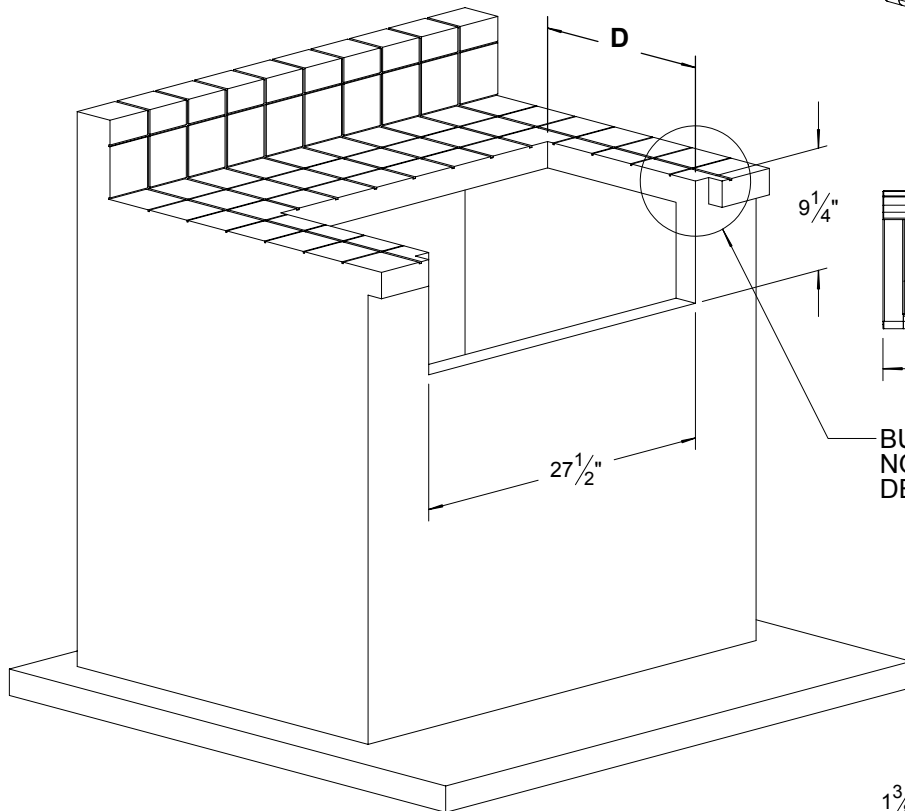
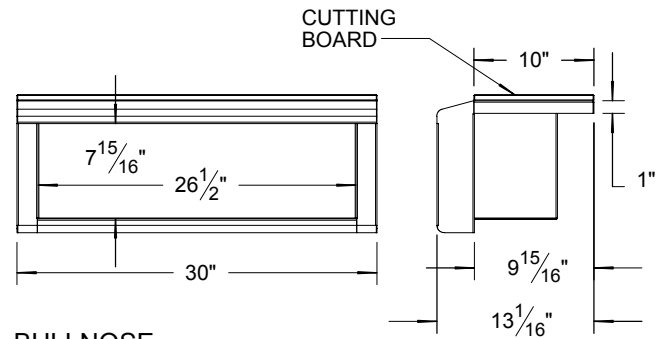
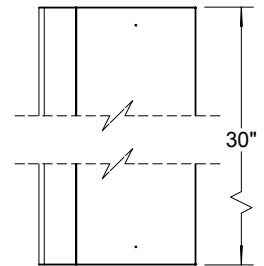
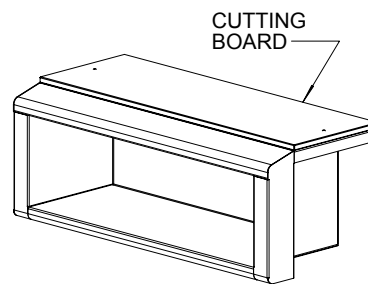


COUNTERTOP CUTOUT REQUIREMENTS

CUTOUT DEPTH DIMENSION (D):

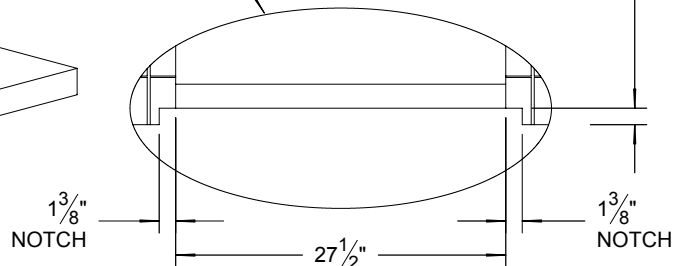
- APS-30 = 8 3/4"
- APS-30P = 15 1/4"

APS-30 (WITHOUT PANS)



BULLNOSE NOTCH DETAIL

DEPTH EQUAL TO BULLNOSE OVERHANG



Alfresco
SUPERIOR EQUIPMENT SOLUTIONS
7039 EAST SLAUSON AVENUE
COMMERCE, CA. 90040

THE INFORMATION CONTAINED IN THIS DRAWING IS THE SOLE PROPERTY OF SUPERIOR EQUIPMENT SOLUTIONS INC. ANY REPRODUCTION IN PART OR AS A WHOLE WITHOUT WRITTEN PERMISSION FROM SUPERIOR EQUIPMENT SOLUTIONS, INC. IS PROHIBITED.

DRAWN BY: ADRIAN CRISCI
CREATED: June 13, 2007 8:57:50 AM

PROJECT TITLE: APS

DRAWING TITLE:

APS-30 / APS-30P SPECIFICATIONS SHEET

DRAWING NO.:
APS SPEC SHEET