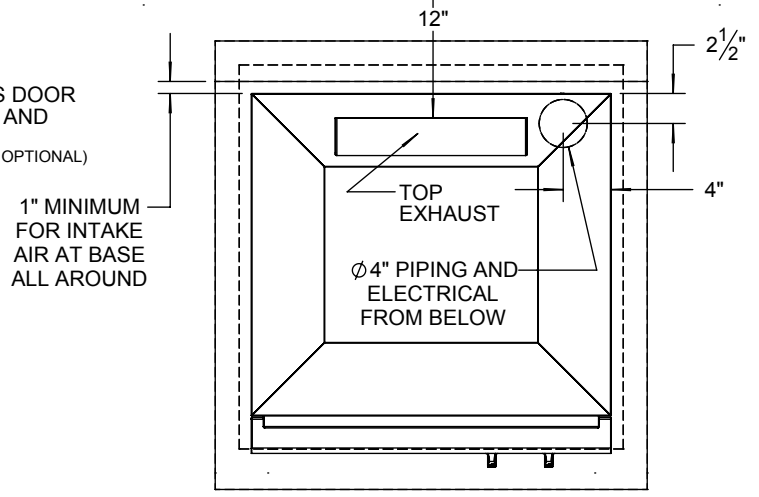
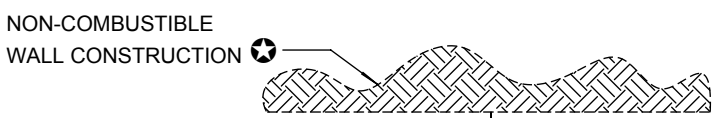
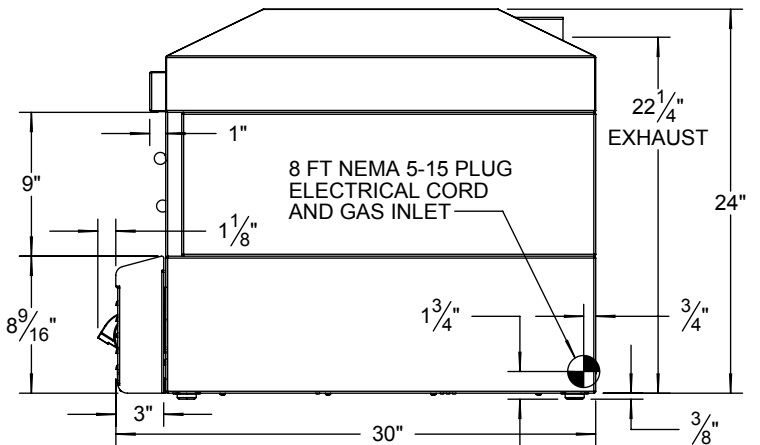
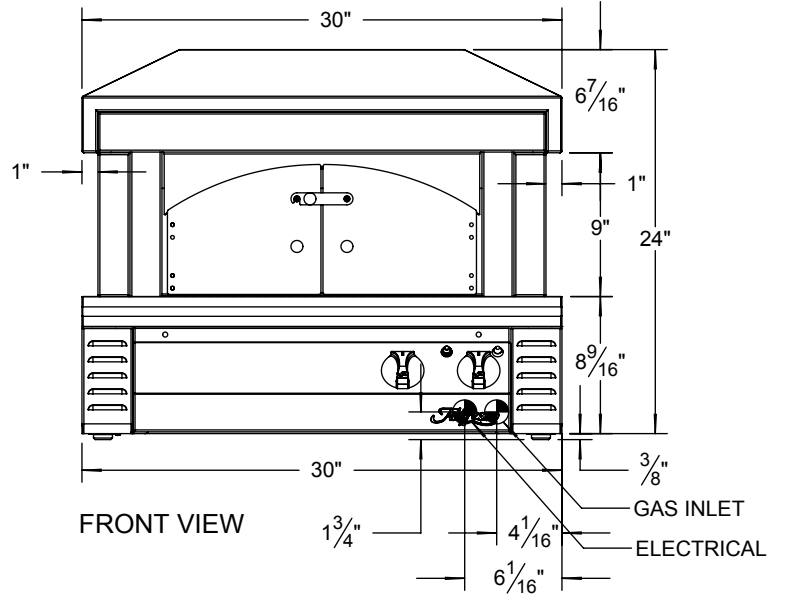
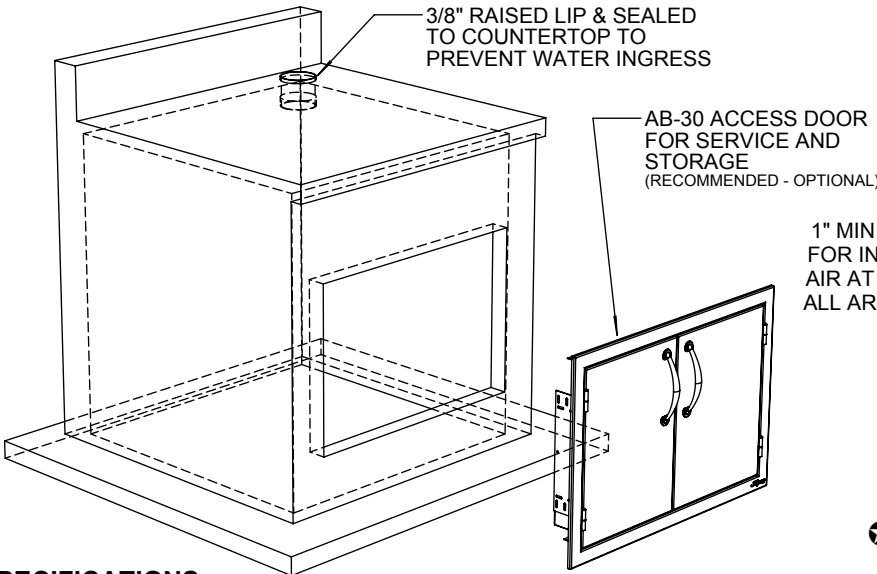
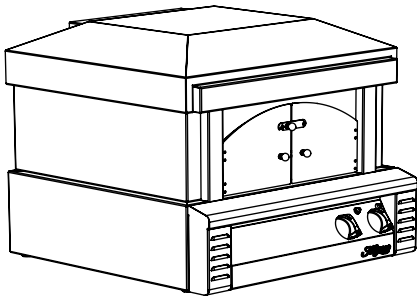


ALF-PZA TYPICAL COUNTER INSTALLATION

COUNTERTOP REQUIREMENTS
(WITH CONNECTIONS AT BOTTOM)



REFER TO ALF-PZA MANUAL FOR PROPER CLEARANCE TO NON-COMBUSTIBLE MATERIALS AND OTHER CONSTRUCTION

SPECIFICATIONS:

BTUH = 35,600
 FUEL NG @ 5 W.C. / LP @ 10 W.C.
 ELECTRICAL POWER: 115 VAC / 0.3 A / 60 Hz.
 GAS CONNECTION = 1/2" NPT (NG) OR 3/8" ODF (LP)

Due to the unique design of the *Alfresco*™ Pizza Oven, the unit can be piped from behind or below when installed in a countertop setting. For additional information, please refer to the ALF-PZA Care and Use manual.



THE INFORMATION CONTAINED IN THIS DRAWING IS THE SOLE PROPERTY OF SUPERIOR EQUIPMENT SOLUTIONS INC. ANY REPRODUCTION IN PART OR AS A WHOLE WITHOUT WRITTEN PERMISSION FROM SUPERIOR EQUIPMENT SOLUTIONS, INC. IS PROHIBITED.

PROJECT TITLE:
ALF-PZA

DRAWING NO.: **ALF-PZA SPEC SHEET**
SHEET 1 OF 1

SUPERIOR EQUIPMENT SOLUTIONS
7039 EAST SLAUSON AVENUE
COMMERCE, CA. 90040

DRAWN BY: ADRIAN CRISCI
CREATED: 5/22/2013 10:15:01 AM

DRAWING TITLE:
ALF-PZA COUNTERTOP MOUNTING